



# ILMA<sup>®</sup>

***INNOVATION SYSTEMS***







*Presente sul mercato nazionale e internazionale da oltre 25 anni, ILMA è oggi una delle aziende più conosciute e stimate nella costruzione di utensili per la lavorazione del legno.*

*Forte di un team giovane e dinamico, abbiamo da sempre attribuito un'importanza fondamentale alla qualità, scegliendo di costruire i nostri utensili in Italia, con materiali certificati; l'organizzazione produttiva, flessibile come oggi il mercato richiede, ci permette di servire i clienti in modo veloce adattandoci anche alle esigenze più particolari.*



*From more than 25 years in the national and international market, ILMA is leader in production of woodworking tools.*

*With a young and dynamic team, we've always conferred value on quality, choosing to manufacture our tools in Italy, with certified material; with our production organization, flexible as market required, we can guarantee to our customers an excellent sale service, for special requirement too.*



*Seit mehr als 25 Jahren auf dem nationalen und internationalen Markt vertreten, ist ILMA heute einer der bekanntesten und angesehensten Hersteller von Messern für Holzverarbeitende Maschinen.*

*Gestützt auf ein junges, dynamisches Team haben wir immer schon der Qualität grundsätzliche Bedeutung beigemessen und deshalb beschlossen, unsere Werkzeuge mit zertifizierten Materialien in Italien zu fertigen. Durch die flexibel auf alle Marktentwicklungen reagierende Organisation unseres Produktionsprozesses können wir Kundenwünsche rasch umsetzen und dabei auch den speziellsten Anforderungen gerecht werden.*



*Presente en el mercado nacional e internacional desde hace más de 25 años, ILMA es hoy una de las empresas más conocidas y apreciadas en la fabricación de herramientas para la madera.*

*Con la fuerza de un equipo joven y dinámico, hemos otorgado siempre una importancia fundamental a la calidad, eligiendo fabricar nuestros utensilios en Italia, con materiales certificados; la organización productiva, flexible como hoyen día exige el mercado, nos permite servir a los clientes de una manera rápida, adaptándonos también a las necesidades más especiales.*



*Наша компания работает на национальном и международном рынках уже более 25 лет, в настоящее время ILMA один из ведущих производителей режущего инструмента для деревообработки.*

*ILMA – это молодая и динамичная команда специалистов, которая всегда придает большое значение качеству, предпочитая изготавливать весь инструмент в Италии, из сертифицированных материалов. Благодаря гибкой организации производства, мы можем уверенно идти в ногу с современным рынком и оперативно обслуживать клиентов, быстро адаптируясь к потребностям заказчика.*

# Made



*Scegliete "Made in Italy": troverete in ILMA il miglior partner per i Vs. affari.*



*Choose "Made in Italy": you'll find in our firm, the best partner for your business.*



*Wählen Sie die Sicherheit des "Made in Italy": Und finden Sie in uns den idealen Geschäftspartner.*



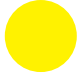








*Elijan "Made in Italy": encontrarán en ILMA el mejor socio para sus negocios.*



*Выберите: "Сделано в Италии" : и найдёте ILMA, лучшего партнера для Вашего бизнеса.*

# Italy

<b>Coltelli per piallatrici</b> <i>Thin planer knives</i> <i>Hobelmesser</i> <i>Cuchillas para cepilladoras</i> <i>Строгальные ножи</i>	... 6	
<b>Barre rettangolari HSS</b> <i>HSS rectangular bars</i> <i>Rechtecksstangen HSS</i> <i>Barras rectangulares HSS</i> <i>Прямоугольные пластины HSS</i>	... 33	
<b>Coltelli rigati</b> <i>Corrugated knives</i> <i>Blanketts</i> <i>Cuchillas corrugadas</i> <i>Бланкетные ножи</i>	... 34	
<b>Coltelli reversibili HW</b> <i>HW Reversible knives</i> <i>HW Messer für Hobelsysteme</i> <i>Cuchillas reversibles HW</i> <i>Сменные пластины HW</i>	... 42	
<b>Teste portacoltelli</b> <i>Cutter heads</i> <i>Schneidköpfe</i> <i>Cabezales portacuchillas</i> <i>Барабаны под строгальные ножи, под бланкетные ножи</i>	... 52	
<b>Frese per giunzioni</b> <i>Finger joint brazed cutters</i> <i>Minizinkenfräser</i> <i>Fresas para empalme</i> <i>Фрезы для сращивания</i>	... 62	
<b>Punte e frese</b> <i>Drill bits, router bits</i> <i>Düdelbohrer, Vollhartmetallfräser</i> <i>Broca, Fresas</i> <i>Фрезы и сверла</i>	... 63	
<b>Lame per seghe a nastro</b> <i>Blades for wood band saws</i> <i>Bandsägeblätter</i> <i>Cuchillas para sierra de cinta</i> <i>Ленточные пилы</i>	... 86	
<b>Lame circolari</b> <i>Circular saw blades</i> <i>Kreissägeblatt</i> <i>Noja de sierra</i> <i>Дисковые пилы</i>	... 87	

## COLTELLI PIALLA

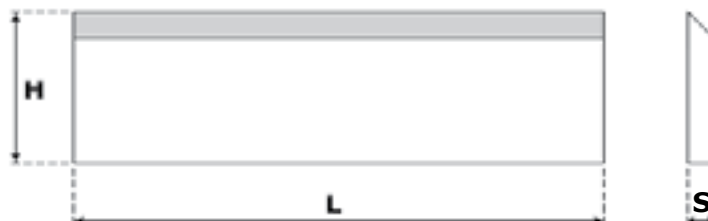
Thin planer knives

Hobelmesser

Cuchillas para cepilladoras

Строгальные ножи

# CrV



<b>CODICE</b>	<b>MISURA</b> (LxHxS) mm	<b>CODICE</b>	<b>MISURA</b> (LxHxS) mm	<b>CODICE</b>	<b>MISURA</b> (LxHxS) mm
CRV120203	120x20x3	CRV350203	350x20x3	CRV530203	530x20x3
CRV120253	120x25x3	CRV350253	350x25x3	CRV530253	530x25x3
CRV120303	120x30x3	CRV350303	350x30x3	CRV530303	530x30x3
CRV120353	120x35x3	CRV350353	350x35x3	CRV530353	530x35x3
CRV150203	150x20x3	CRV400203	400x20x3	CRV600203	600x20x3
CRV150253	150x25x3	CRV400253	400x25x3	CRV600253	600x25x3
CRV150303	150x30x3	CRV400303	400x30x3	CRV600303	600x30x3
CRV150353	150x35x3	CRV400353	400x35x3	CRV600353	600x35x3
CRV180203	180x20x3	CRV410203	410x20x3	CRV630203	630x20x3
CRV180253	180x25x3	CRV410253	410x25x3	CRV630253	630x25x3
CRV180303	180x30x3	CRV410303	410x30x3	CRV630303	630x30x3
CRV180353	180x35x3	CRV410353	410x35x3	CRV630353	630x35x3
CRV230203	230x20x3	CRV500203	500x20x3	CRV700203	700x20x3
CRV230253	230x25x3	CRV500253	500x25x3	CRV700253	700x25x3
CRV230303	230x30x3	CRV500303	500x30x3	CRV700303	700x30x3
CRV230353	230x35x3	CRV500353	500x35x3	CRV700353	700x35x3
CRV260203	260x20x3	CRV510203	510x20x3	CRV800203	800x20x3
CRV260253	260x25x3	CRV510253	510x25x3	CRV800253	800x25x3
CRV260303	260x30x3	CRV510303	510x30x3	CRV800303	800x30x3
CRV260353	260x35x3	CRV510353	510x35x3	CRV800353	800x35x3
CRV300203	300x20x3	CRV520203	520x20x3	CRV1080203	1080x20x3
CRV300253	300x25x3	CRV520253	520x25x3	CRV1080253	1080x25x3
CRV300303	300x30x3	CRV520303	520x30x3	CRV1080303	1080x30x3
CRV300353	300x35x3	CRV520353	520x35x3	CRV1080353	1080x35x3

## COLTELLI PIALLA

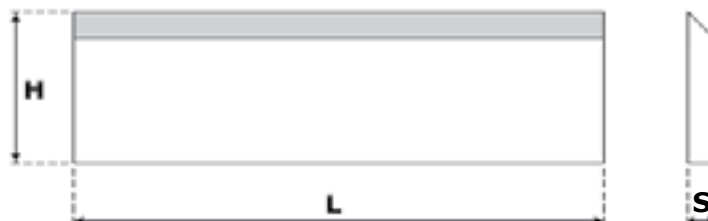
Thin planer knives

Hobelmesser

Cuchillas para cepilladoras

Строгальные ножи

# Cr 13%



<b>CODICE</b>	<b>MISURA</b> (LxHxS) mm	<b>CODICE</b>	<b>MISURA</b> (LxHxS) mm	<b>CODICE</b>	<b>MISURA</b> (LxHxS) mm
C120203	120x20x3	C350203	350x20x3	C530203	530x20x3
C120253	120x25x3	C350253	350x25x3	C530253	530x25x3
C120303	120x30x3	C350303	350x30x3	C530303	530x30x3
C120353	120x35x3	C350353	350x35x3	C530353	530x35x3
C150203	150x20x3	C400203	400x20x3	C600203	600x20x3
C150253	150x25x3	C400253	400x25x3	C600253	600x25x3
C150303	150x30x3	C400303	400x30x3	C600303	600x30x3
C150353	150x35x3	C400353	400x35x3	C600353	600x35x3
C180203	180x20x3	C410203	410x20x3	C630203	630x20x3
C180253	180x25x3	C410253	410x25x3	C630253	630x25x3
C180303	180x30x3	C410303	410x30x3	C630303	630x30x3
C180353	180x35x3	C410353	410x35x3	C630353	630x35x3
C230203	230x20x3	C500203	500x20x3	C700203	700x20x3
C230253	230x25x3	C500253	500x25x3	C700253	700x25x3
C230303	230x30x3	C500303	500x30x3	C700303	700x30x3
C230353	230x35x3	C500353	500x35x3	C700353	700x35x3
C260203	260x20x3	C510203	510x20x3	C800203	800x20x3
C260253	260x25x3	C510253	510x25x3	C800253	800x25x3
C260303	260x30x3	C510303	510x30x3	C800303	800x30x3
C260353	260x35x3	C510353	510x35x3	C800353	800x35x3
C300203	300x20x3	C520203	520x20x3	C1080203	1080x20x3
C300253	300x25x3	C520253	520x25x3	C1080253	1080x25x3
C300303	300x30x3	C520303	520x30x3	C1080303	1080x30x3
C300353	300x35x3	C520353	520x35x3	C1080353	1080x35x3

## COLTELLI PIALLA

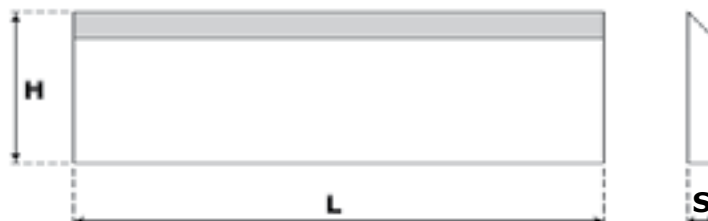
Thin planer knives

Hobelmesser

Cuchillas para cepilladoras

Строгальные ножи

# HP



<b>CODICE</b>	<b>MISURA</b> (LxHxS) mm	<b>CODICE</b>	<b>MISURA</b> (LxHxS) mm	<b>CODICE</b>	<b>MISURA</b> (LxHxS) mm
HP120203	120x20x3	HP350203	350x20x3	HP530203	530x20x3
HP120253	120x25x3	HP350253	350x25x3	HP530253	530x25x3
HP120303	120x30x3	HP350303	350x30x3	HP530303	530x30x3
HP120353	120x35x3	HP350353	350x35x3	HP530353	530x35x3
HP150203	150x20x3	HP400203	400x20x3	HP600203	600x20x3
HP150253	150x25x3	HP400253	400x25x3	HP600253	600x25x3
HP150303	150x30x3	HP400303	400x30x3	HP600303	600x30x3
HP150353	150x35x3	HP400353	400x35x3	HP600353	600x35x3
HP180203	180x20x3	HP410203	410x20x3	HP630203	630x20x3
HP180253	180x25x3	HP410253	410x25x3	HP630253	630x25x3
HP180303	180x30x3	HP410303	410x30x3	HP630303	630x30x3
HP180353	180x35x3	HP410353	410x35x3	HP630353	630x35x3
HP230203	230x20x3	HP500203	500x20x3	HP700203	700x20x3
HP230253	230x25x3	HP500253	500x25x3	HP700253	700x25x3
HP230303	230x30x3	HP500303	500x30x3	HP700303	700x30x3
HP230353	230x35x3	HP500353	500x35x3	HP700353	700x35x3
HP260203	260x20x3	HP510203	510x20x3	HP800203	800x20x3
HP260253	260x25x3	HP510253	510x25x3	HP800253	800x25x3
HP260303	260x30x3	HP510303	510x30x3	HP800303	800x30x3
HP260353	260x35x3	HP510353	510x35x3	HP800353	800x35x3
HP300203	300x20x3	HP520203	520x20x3	HP1080203	1080x20x3
HP300253	300x25x3	HP520253	520x25x3	HP1080253	1080x25x3
HP300303	300x30x3	HP520303	520x30x3	HP1080303	1080x30x3
HP300353	300x35x3	HP520353	520x35x3	HP1080353	1080x35x3



## COLTELLI PIALLA

Thin planer knives

Hobelmesser

Cuchillas para cepilladoras

Строгальные ножи

# HSS 18%



<b>CODICE</b>	<b>MISURA</b> (LxHxS) mm	<b>CODICE</b>	<b>MISURA</b> (LxHxS) mm	<b>CODICE</b>	<b>MISURA</b> (LxHxS) mm
H120203	120x20x3	H350203	350x20x3	H530203	530x20x3
H120253	120x25x3	H350253	350x25x3	H530253	530x25x3
H120303	120x30x3	H350303	350x30x3	H530303	530x30x3
H120353	120x35x3	H350353	350x35x3	H530353	530x35x3
H150203	150x20x3	H400203	400x20x3	H600203	600x20x3
H150253	150x25x3	H400253	400x25x3	H600253	600x25x3
H150303	150x30x3	H400303	400x30x3	H600303	600x30x3
H150353	150x35x3	H400353	400x35x3	H600353	600x35x3
H180203	180x20x3	H410203	410x20x3	H630203	630x20x3
H180253	180x25x3	H410253	410x25x3	H630253	630x25x3
H180303	180x30x3	H410303	410x30x3	H630303	630x30x3
H180353	180x35x3	H410353	410x35x3	H630353	630x35x3
H230203	230x20x3	H500203	500x20x3	H700203	700x20x3
H230253	230x25x3	H500253	500x25x3	H700253	700x25x3
H230303	230x30x3	H500303	500x30x3	H700303	700x30x3
H230353	230x35x3	H500353	500x35x3	H700353	700x35x3
H260203	260x20x3	H510203	510x20x3	H800203	800x20x3
H260253	260x25x3	H510253	510x25x3	H800253	800x25x3
H260303	260x30x3	H510303	510x30x3	H800303	800x30x3
H260353	260x35x3	H510353	510x35x3	H800353	800x35x3
H300203	300x20x3	H520203	520x20x3	H1080203	1080x20x3
H300253	300x25x3	H520253	520x25x3	H1080253	1080x25x3
H300303	300x30x3	H520303	520x30x3	H1080303	1080x30x3
H300353	300x35x3	H520353	520x35x3	H1080353	1080x35x3

## COLTELLI PIALLA

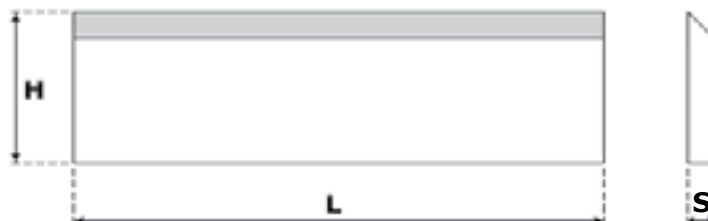
Thin planer knives

Hobelmesser

Cuchillas para cepilladoras

Строгальные ножи

## HSS 18% PLUS



CODICE	MISURA (LxHxS) mm	CODICE	MISURA (LxHxS) mm	CODICE	MISURA (LxHxS) mm
PS120203	120x20x3	PS350203	350x20x3	PS530203	530x20x3
PS120253	120x25x3	PS350253	350x25x3	PS530253	530x25x3
PS120303	120x30x3	PS350303	350x30x3	PS530303	530x30x3
PS120353	120x35x3	PS350353	350x35x3	PS530353	530x35x3
PS150203	150x20x3	PS400203	400x20x3	PS600203	600x20x3
PS150253	150x25x3	PS400253	400x25x3	PS600253	600x25x3
PS150303	150x30x3	PS400303	400x30x3	PS600303	600x30x3
PS150353	150x35x3	PS400353	400x35x3	PS600353	600x35x3
PS180203	180x20x3	PS410203	410x20x3	PS630203	630x20x3
PS180253	180x25x3	PS410253	410x25x3	PS630253	630x25x3
PS180303	180x30x3	PS410303	410x30x3	PS630303	630x30x3
PS180353	180x35x3	PS410353	410x35x3	PS630353	630x35x3
PS230203	230x20x3	PS500203	500x20x3	PS700203	700x20x3
PS230253	230x25x3	PS500253	500x25x3	PS700253	700x25x3
PS230303	230x30x3	PS500303	500x30x3	PS700303	700x30x3
PS230353	230x35x3	PS500353	500x35x3	PS700353	700x35x3
PS260203	260x20x3	PS510203	510x20x3	PS800203	800x20x3
PS260253	260x25x3	PS510253	510x25x3	PS800253	800x25x3
PS260303	260x30x3	PS510303	510x30x3	PS800303	800x30x3
PS260353	260x35x3	PS510353	510x35x3	PS800353	800x35x3
PS300203	300x20x3	PS520203	520x20x3	PS1080203	1080x20x3
PS300253	300x25x3	PS520253	520x25x3	PS1080253	1080x25x3
PS300303	300x30x3	PS520303	520x30x3	PS1080303	1080x30x3
PS300353	300x35x3	PS520353	520x35x3	PS1080353	1080x35x3

## COLTELLI PIALLA

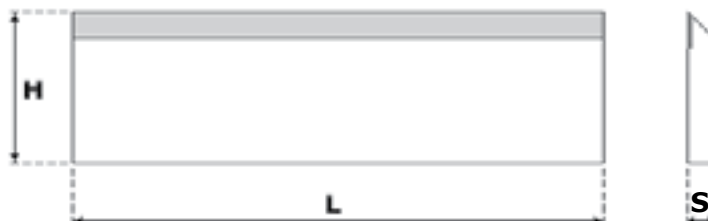
Thin planer knives

Hobelmesser

Cuchillas para cepilladoras

Строгальные ножи

# HM



<b>CODICE</b>	<b>MISURA</b> (LxHxS) mm	<b>CODICE</b>	<b>MISURA</b> (LxHxS) mm	<b>CODICE</b>	<b>MISURA</b> (LxHxS) mm
HM120203	120x20x3	HM350203	350x20x3	HM530203	530x20x3
HM120253	120x25x3	HM350253	350x25x3	HM530253	530x25x3
HM120303	120x30x3	HM350303	350x30x3	HM530303	530x30x3
HM120353	120x35x3	HM350353	350x35x3	HM530353	530x35x3
HM150203	150x20x3	HM400203	400x20x3	HM600203	600x20x3
HM150253	150x25x3	HM400253	400x25x3	HM600253	600x25x3
HM150303	150x30x3	HM400303	400x30x3	HM600303	600x30x3
HM150353	150x35x3	HM400353	400x35x3	HM600353	600x35x3
HM180203	180x20x3	HM410203	410x20x3	HM630203	630x20x3
HM180253	180x25x3	HM410253	410x25x3	HM630253	630x25x3
HM180303	180x30x3	HM410303	410x30x3	HM630303	630x30x3
HM180353	180x35x3	HM410353	410x35x3	HM630353	630x35x3
HM230203	230x20x3	HM500203	500x20x3	HM700203	700x20x3
HM230253	230x25x3	HM500253	500x25x3	HM700253	700x25x3
HM230303	230x30x3	HM500303	500x30x3	HM700303	700x30x3
HM230353	230x35x3	HM500353	500x35x3	HM700353	700x35x3
HM260203	260x30x3	HM510203	510x20x3	HM800203	800x20x3
HM260253	260x25x3	HM510253	510x25x3	HM800253	800x25x3
HM260303	260x30x3	HM510303	510x30x3	HM800303	800x30x3
HM260353	260x35x3	HM510353	510x35x3	HM800353	800x35x3
HM300203	300x20x3	HM520203	520x20x3	HM1050203	1050x20x3
HM300253	300x25x3	HM520253	520x25x3	HM1050253	1050x25x3
HM300303	300x30x3	HM520303	520x30x3	HM1050303	1050x30x3
HM300353	300x35x3	HM520353	520x35x3	HM1050353	1050x35x3

## COLTELLI PIALLA PER SISTEMA TERSA

Thin planer knives for Tersa System

Hobelmesser für System Tersa

Cuchillas para cepilladoras para Sistema Tersa

Строгальные ножи для системы Tersa

# HSS



### ORIGINAL VERSION

Codice	Misura (mm)	Codice	Misura (mm)
HTSOV60	60X10X2,3	HTSOV300	300X10X2,3
HTSOV80	80X10X2,3	HTSOV310	310X10X2,3
HTSOV90	90X10X2,3	HTSOV320	320X10X2,3
HTSOV100	100X10X2,3	HTSOV330	330X10X2,3
HTSOV110	110X10X2,3	HTSOV350	350X10X2,3
HTSOV115	115X10X2,3	HTSOV360	360X10X2,3
HTSOV120	120X10X2,3	HTSOV400	400X10X2,3
HTSOV130	130X10X2,3	HTSOV410	410X10X2,3
HTSOV140	140X10X2,3	HTSOV420	420X10X2,3
HTSOV150	150X10X2,3	HTSOV430	430X10X2,3
HTSOV160	160X10X2,3	HTSOV450	450X10X2,3
HTSOV170	170X10X2,3	HTSOV500	500X10X2,3
HTSOV180	180X10X2,3	HTSOV510	510X10X2,3
HTSOV190	190X10X2,3	HTSOV520	520X10X2,3
HTSOV200	200X10X2,3	HTSOV530	530X10X2,3
HTSOV210	210X10X2,3	HTSOV540	540X10X2,3
HTSOV220	220X10X2,3	HTSOV600	600X10X2,3
HTSOV230	230X10X2,3	HTSOV610	610X10X2,3
HTSOV240	240X10X2,3	HTSOV630	630X10X2,3
HTSOV250	250X10X2,3	HTSOV635	635X10X2,3
HTSOV260	260X10X2,3	HTSOV640	640X10X2,3
HTSOV270	270X10X2,3	HTSOV650	650X10X2,3
HTSOV280	280X10X2,3		

## COLTELLI PIALLA PER SISTEMA TERSA

Thin planer knives for Tersa System

Hobelmesser für System Tersa

Cuchillas para cepilladoras para Sistema Tersa

Строгальные ножи для системы Tersa

**HSS**



### STANDARD VERSION

Codice	Misura (mm)	Codice	Misura (mm)
HTS60	60X10X2,3	HTS300	300X10X2,3
HTS80	80X10X2,3	HTS310	310X10X2,3
HTS90	90X10X2,3	HTS320	320X10X2,3
HTS100	100X10X2,3	HTS330	330X10X2,3
HTS110	110X10X2,3	HTS350	350X10X2,3
HTS115	115X10X2,3	HTS360	360X10X2,3
HTS120	120X10X2,3	HTS400	400X10X2,3
HTS130	130X10X2,3	HTS410	410X10X2,3
HTS140	140X10X2,3	HTS420	420X10X2,3
HTS150	150X10X2,3	HTS430	430X10X2,3
HTS160	160X10X2,3	HTS450	450X10X2,3
HTS170	170X10X2,3	HTS500	500X10X2,3
HTS180	180X10X2,3	HTS510	510X10X2,3
HTS190	190X10X2,3	HTS520	520X10X2,3
HTS200	200X10X2,3	HTS530	530X10X2,3
HTS210	210X10X2,3	HTS540	540X10X2,3
HTS220	220X10X2,3	HTS600	600X10X2,3
HTS230	230X10X2,3	HTS610	610X10X2,3
HTS240	240X10X2,3	HTS630	630X10X2,3
HTS250	250X10X2,3	HTS635	635X10X2,3
HTS260	260X10X2,3	HTS640	640X10X2,3
HTS270	270X10X2,3	HTS650	650X10X2,3
HTS280	280X10X2,3	BHTS120	120 mt 10x2,3

## COLTELLI PIALLA PER SISTEMA TERSA

Thin planer knives for Tersa System

Hobelmesser für System Tersa

Cuchillas para cepilladoras para Sistema Tersa

Строгальные ножи для системы Tersa

# M42



<b>CODICE</b>	<b>MISURA</b> (mm)	<b>CODICE</b>	<b>MISURA</b> (mm)
M42TS60	60X10X2,3	M42TS310	310X10X2,3
M42TS80	80X10X2,3	M42TS320	320X10X2,3
M42TS90	90X10X2,3	M42TS330	330X10X2,3
M42TS100	100X10X2,3	M42TS350	350X10X2,3
M42TS110	110X10X2,3	M42TS360	360X10X2,3
M42TS115	115X10X2,3	M42TS400	400X10X2,3
M42TS120	120X10X2,3	M42TS410	410X10X2,3
M42TS130	130X10X2,3	M42TS420	420X10X2,3
M42TS140	140X10X2,3	M42TS430	430X10X2,3
M42TS150	150X10X2,3	M42TS450	450X10X2,3
M42TS160	160X10X2,3	M42TS500	500X10X2,3
M42TS170	170X10X2,3	M42TS510	510X10X2,3
M42TS180	180X10X2,3	M42TS520	520X10X2,3
M42TS190	190X10X2,3	M42TS530	530X10X2,3
M42TS200	200X10X2,3	M42TS540	540X10X2,3
M42TS210	210X10X2,3	M42TS600	600X10X2,3
M42TS220	220X10X2,3	M42TS610	610X10X2,3
M42TS230	230X10X2,3	M42TS630	630X10X2,3
M42TS240	240X10X2,3	M42TS635	635X10X2,3
M42TS250	250X10X2,3	M42TS640	640X10X2,3
M42TS260	260X10X2,3	M42TS650	650X10X2,3
M42TS270	270X10X2,3		
M42TS280	280X10X2,3	BM42TS60	Mt.60 10x2,3
M42TS300	300X10X2,3	BM42TS120	Mt.120 10x2,3

## COLTELLI PIALLA PER SISTEMA TERSA

Thin planer knives for Tersa System

Hobelmesser für System Tersa

Cuchillas para cepilladoras para Sistema Tersa

Строгальные ножи для системы Tersa

HM



<b>CODICE</b>	<b>MISURA</b> (mm)	<b>CODICE</b>	<b>MISURA</b> (mm)
HMTS60	60X10X2,3	HMTS300	300X10X2,3
HMTS80	80X10X2,3	HMTS310	310X10X2,3
HMTS90	90X10X2,3	HMTS320	320X10X2,3
HMTS100	100X10X2,3	HMTS330	330X10X2,3
HMTS110	110X10X2,3	HMTS350	350X10X2,3
HMTS115	115X10X2,3	HMTS360	360X10X2,3
HMTS120	120X10X2,3	HMTS400	400X10X2,3
HMTS130	130X10X2,3	HMTS410	410X10X2,3
HMTS140	140X10X2,3	HMTS420	420X10X2,3
HMTS150	150X10X2,3	HMTS430	430X10X2,3
HMTS160	160X10X2,3	HMTS450	450X10X2,3
HMTS170	170X10X2,3	HMTS500	500X10X2,3
HMTS180	180X10X2,3	HMTS510	510X10X2,3
HMTS190	190X10X2,3	HMTS520	520X10X2,3
HMTS200	200X10X2,3	HMTS530	530X10X2,3
HMTS210	210X10X2,3	HMTS540	540X10X2,3
HMTS220	220X10X2,3	HMTS600	600X10X2,3
HMTS230	230X10X2,3	HMTS610	610X10X2,3
HMTS240	240X10X2,3	HMTS630	630X10X2,3
HMTS250	250X10X2,3	HMTS635	635X10X2,3
HMTS260	260X10X2,3	HMTS640	640X10X2,3
HMTS270	270X10X2,3	HMTS650	650X10X2,3
HMTS280	280X10X2,3		

## COLTELLI PIALLA PER SISTEMA CENTROLOCK

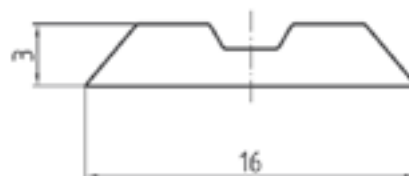
HSS

Thin planer knives for Centrolock System

Hobelmesser für System Centrolock

Cuchillas para cepilladoras para Sistema Centrolock

Строгальные ножи для системы Centrolock



### ORIGINAL VERSION

CODICE	MISURA (mm)
HCLOV10	10X16X3
HCLOV20	20X16X3
HCLOV30	30X16X3
HCLOV40	40X16X3
HCLOV50	50X16X3
HCLOV60	60X16X3
HCLOV65	65X16X3
HCLOV80	80X16X3
HCLOV100	100X16X3
HCLOV115	115X16X3
HCLOV130	130X16X3
HCLOV140	140X16X3
HCLOV150	150X16X3
HCLOV160	160X16X3
HCLOV170	170X16X3
HCLOV180	180X16X3
HCLOV190	190X16X3
HCLOV210	210X16X3
HCLOV220	220X16X3
HCLOV230	230X16X3
HCLOV235	235X16X3
HCLOV240	240X16X3
HCLOV260	260X16X3
HCLOV270	270X16X3
HCLOV300	300X16X3
HCLOV310	310X16X3
HCLOV460	460X16X3
HCLOV650	650X16X3

### STANDARD VERSION

CODICE	MISURA (mm)
HCL10	10X16X3
HCL20	20X16X3
HCL30	30X16X3
HCL40	40X16X3
HCL50	50X16X3
HCL60	60X16X3
HCL65	65X16X3
HCL80	80X16X3
HCL100	100X16X3
HCL115	115X16X3
HCL130	130X16X3
HCL140	140X16X3
HCL150	150X16X3
HCL160	160X16X3
HCL170	170X16X3
HCL180	180X16X3
HCL190	190X16X3
HCL210	210X16X3
HCL220	220X16X3
HCL230	230X16X3
HCL235	235X16X3
HCL240	240X16X3
HCL260	260X16X3
HCL270	270X16X3
HCL300	300X16X3
HCL310	310X16X3
HCL460	460X16X3
HCL650	650X16X3



## COLTELLI PIALLA PER SISTEMA CENTROLOCK

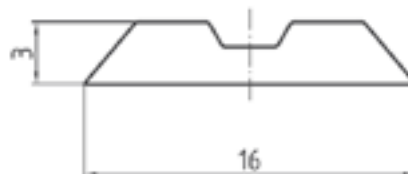
Thin planer knives for Centrolock System

Hobelmesser für System Centrolock

Cuchillas para cepilladoras para Sistema Centrolock

Строгальные ножи для системы Centrolock

HM



CODICE	MISURA (mm)
HMCL10	10X16X3
HMCL20	20X16X3
HMCL30	30X16X3
HMCL40	40X16X3
HMCL50	50X16X3
HMCL60	60X16X3
HMCL65	65X16X3
HMCL80	80X16X3
HMCL100	100X16X3
HMCL115	115X16X3
HMCL130	130X16X3
HMCL140	140X16X3
HMCL150	150X16X3
HMCL160	160X16X3
HMCL170	170X16X3
HMCL180	180X16X3
HMCL190	190X16X3
HMCL210	210X16X3
HMCL220	220X16X3
HMCL230	230X16X3
HMCL235	235X16X3
HMCL240	240X16X3
HMCL260	260X16X3
HMCL270	270X16X3
HMCL300	300X16X3
HMCL310	310X16X3
HMCL460	460X16X3
HMCL650	650X16X3

## COLTELLI PIALLA PER SISTEMA CENTROFIX

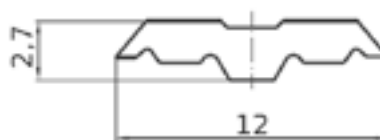
# HSS

Thin planer knives for Centrofix System

Hobelmesser für System Centrofix

Cuchillas para cepilladoras para Sistema Centrofix

Строгальные ножи для системы Centrofix



### ORIGINAL VERSION

CODICE	MISURA (mm)
HCFOV50	50X12X2,70
HCFOV80	80X12X2,70
HCFOV100	100X12X2,70
HCFOV120	120X12X2,70
HCFOV130	130X12X2,70
HCFOV136	136X12X2,70
HCFOV150	150X12X2,70
HCFOV170	170X12X2,70
HCFOV180	180X12X2,70
HCFOV190	190X12X2,70
HCFOV210	210X12X2,70
HCFOV230	230X12X2,70
HCFOV240	240X12X2,70
HCFOV310	310X12X2,70
HCFOV400	400X12X2,70
HCFOV410	410X12X2,70
HCFOV420	420X12X2,70
HCFOV430	430X12X2,70
HCFOV500	500X12X2,70
HCFOV510	510X12X2,70
HCFOV520	520X12X2,70
HCFOV530	530X12X2,70
HCFOV540	540X12X2,70
HCFOV630	630X12X2,70
HCFOV640	640X12X2,70
HCFOV650	650X12X2,70

### STANDARD VERSION

CODICE	MISURA (mm)
HCF50	50X12X2,70
HCF80	80X12X2,70
HCF100	100X12X2,70
HCF120	120X12X2,70
HCF130	130X12X2,70
HCF136	136X12X2,70
HCF150	150X12X2,70
HCF170	170X12X2,70
HCF180	180X12X2,70
HCF190	190X12X2,70
HCF210	210X12X2,70
HCF230	230X12X2,70
HCF240	240X12X2,70
HCF310	310X12X2,70
HCF400	400X12X2,70
HCF410	410X12X2,70
HCF420	420X12X2,70
HCF430	430X12X2,70
HCF500	500X12X2,70
HCF510	510X12X2,70
HCF520	520X12X2,70
HCF530	530X12X2,70
HCF540	540X12X2,70
HCF630	630X12X2,70
HCF640	640X12X2,70
HCF650	650X12X2,70

## COLTELLI PIALLA PER SISTEMA CENTROFIX

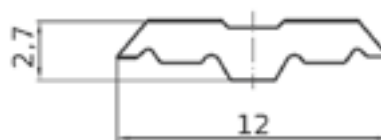
Thin planer knives for Centrofix System

Hobelmesser für System Centrofix

Cuchillas para cepilladoras para Sistema Centrofix

Строгальные ножи для системы Centrofix

HM



<b>CODICE</b>	<b>MISURA</b> (mm)
HMCF50	50X12X2,70
HMCF80	80X12X2,70
HMCF100	100X12X2,70
HMCF120	120X12X2,70
HMCF130	130X12X2,70
HMCF136	136X12X2,70
HMCF150	150X12X2,70
HMCF170	170X12X2,70
HMCF180	180X12X2,70
HMCF190	190X12X2,70
HMCF210	210X12X2,70
HMCF230	230X12X2,70
HMCF240	240X12X2,70
HMCF310	310X12X2,70
HMCF400	400X12X2,70
HMCF410	410X12X2,70
HMCF420	420X12X2,70
HMCF430	430X12X2,70
HMCF500	500X12X2,70
HMCF510	510X12X2,70
HMCF520	520X12X2,70
HMCF530	530X12X2,70
HMCF540	540X12X2,70
HMCF630	630X12X2,70
HMCF640	640X12X2,70
HMCF650	650X12X2,70

## COLTELLI PIALLA PER SISTEMA TERMINUS

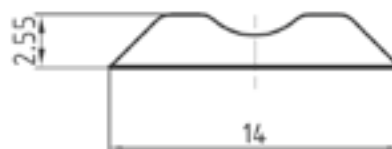
# HSS

Thin planer knives for Terminus System

Hobelmesser für System Terminus

Cuchillas para cepilladoras para Sistema Terminus

Строгальные ножи для системы Terminus



### ORIGINAL VERSION

<b>CODICE</b>	<b>MISURA</b> (mm)	<b>CODICE</b>	<b>MISURA</b> (mm)
HTROV50	50X14X2,55	HTROV275	275X14X2,55
HTROV60	60X14X2,55	HTROV280	280X14X2,55
HTROV80	80X14X2,55	HTROV300	300X14X2,55
HTROV100	100X14X2,55	HTROV310	310X14X2,55
HTROV110	110X14X2,55	HTROV330	330X14X2,55
HTROV120	120X14X2,55	HTROV350	350X14X2,55
HTROV130	130X14X2,55	HTROV360	360X14X2,55
HTROV136	136X14X2,55	HTROV400	400X14X2,55
HTROV140	140X14X2,55	HTROV410	410X14X2,55
HTROV150	150X14X2,55	HTROV420	420X14X2,55
HTROV160	160X14X2,55	HTROV430	430X14X2,55
HTROV170	170X14X2,55	HTROV450	450X14X2,55
HTROV180	180X14X2,55	HTROV480	480X14X2,55
HTROV190	190X14X2,55	HTROV500	500X14X2,55
HTROV200	200X14X2,55	HTROV510	510X14X2,55
HTROV210	210X14X2,55	HTROV520	520X14X2,55
HTROV220	220X14X2,55	HTROV530	530X14X2,55
HTROV230	230X14X2,55	HTROV610	610X14X2,55
HTROV240	240X14X2,55	HTROV620	620X14X2,55
HTROV250	250X14X2,55	HTROV630	630X14X2,55
HTROV255	255X14X2,55	HTROV640	640X14X2,55
HTROV260	260X14X2,55	HTROV650	650X14X2,55
HTROV270	270X14X2,55		

## COLTELLI PIALLA PER SISTEMA TERMINUS

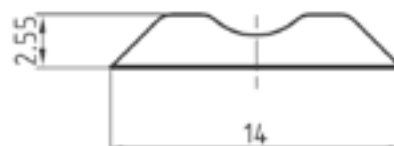
Thin planer knives for Terminus System

Hobelmesser für System Terminus

Cuchillas para cepilladoras para Sistema Terminus

Строгальные ножи для системы Terminus

HSS



### STANDARD VERSION

CODICE	MISURA (mm)	CODICE	MISURA (mm)
HTR50	50X14X2,55	HTR275	275X14X2,55
HTR60	60X14X2,55	HTR280	280X14X2,55
HTR80	80X14X2,55	HTR300	300X14X2,55
HTR100	100X14X2,55	HTR310	310X14X2,55
HTR110	110X14X2,55	HTR330	330X14X2,55
HTR120	120X14X2,55	HTR350	350X14X2,55
HTR130	130X14X2,55	HTR360	360X14X2,55
HTR136	136X14X2,55	HTR400	400X14X2,55
HTR140	140X14X2,55	HTR410	410X14X2,55
HTR150	150X14X2,55	HTR420	420X14X2,55
HTR160	160X14X2,55	HTR430	430X14X2,55
HTR170	170X14X2,55	HTR450	450X14X2,55
HTR180	180X14X2,55	HTR480	480X14X2,55
HTR190	190X14X2,55	HTR500	500X14X2,55
HTR200	200X14X2,55	HTR510	510X14X2,55
HTR210	210X14X2,55	HTR520	520X14X2,55
HTR220	220X14X2,55	HTR530	530X14X2,55
HTR230	230X14X2,55	HTR610	610X14X2,55
HTR240	240X14X2,55	HTR620	620X14X2,55
HTR250	250X14X2,55	HTR630	630X14X2,55
HTR255	255X14X2,55	HTR640	640X14X2,55
HTR260	260X14X2,55	HTR650	650X14X2,55
HTR270	270X14X2,55		

## COLTELLI PIALLA PER SISTEMA TERMINUS

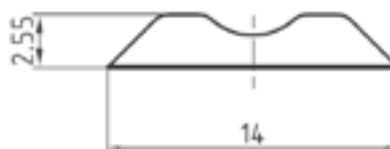
HM

*Thin planer knives for Terminus System*

*Hobelmesser für System Terminus*

*Cuchillas para cepilladoras para Sistema Terminus*

*Строгальные ножи для системы Terminus*



<b>CODICE</b>	<b>MISURA</b> (mm)	<b>CODICE</b>	<b>MISURA</b> (mm)
HMTR50	50X14X2,55	HMTR275	275X14X2,55
HMTR60	60X14X2,55	HMTR280	280X14X2,55
HMTR80	80X14X2,55	HMTR300	300X14X2,55
HMTR100	100X14X2,55	HMTR310	310X14X2,55
HMTR110	110X14X2,55	HMTR330	330X14X2,55
HMTR120	120X14X2,55	HMTR350	350X14X2,55
HMTR130	130X14X2,55	HMTR360	360X14X2,55
HMTR136	136X14X2,55	HMTR400	400X14X2,55
HMTR140	140X14X2,55	HMTR410	410X14X2,55
HMTR150	150X14X2,55	HMTR420	420X14X2,55
HMTR160	160X14X2,55	HMTR430	430X14X2,55
HMTR170	170X14X2,55	HMTR450	450X14X2,55
HMTR180	180X14X2,55	HTMR480	480X14X2,55
HMTR190	190X14X2,55	HMTR500	500X14X2,55
HMTR200	200X14X2,55	HMTR510	510X14X2,55
HMTR210	210X14X2,55	HMTR520	520X14X2,55
HMTR220	220X14X2,55	HMTR530	530X14X2,55
HMTR230	230X14X2,55	HMTR610	610X14X2,55
HMTR240	240X14X2,55	HMTR620	620X14X2,55
HMTR250	250X14X2,55	HMTR630	630X14X2,55
HMTR255	255X14X2,55	HMTR640	640X14X2,55
HMTR260	260X14X2,55	HMTR650	650X14X2,55
HMTR270	270X14X2,55		

## COLTELLI PIALLA PER SISTEMA VARIPLAN

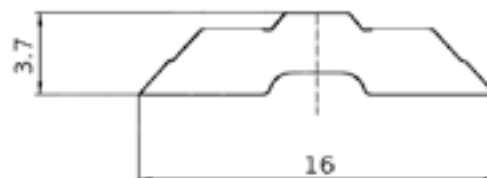
Thin planer knives for Variplan System

Hobelmesser für System Variplan

Cuchillas para cepilladoras para Sistema Variplan

Строгальные ножи для системы Variplan

# HSS



### ORIGINAL VERSION

CODICE	MISURA (mm)
HVPOV60	60X16X3,7
HVPOV80	80X16X3,7
HVPOV100	100X16X3,7
HVPOV120	120X16X3,7
HVPOV130	130X16X3,7
HVPOV150	150X16X3,7
HVPOV170	170X16X3,7
HVPOV180	180X16X3,7
HVPOV190	190X16X3,7
HVPOV210	210X16X3,7
HVPOV230	230X16X3,7
HVPOV240	240X16X3,7
HVPOV400	400X16X3,7
HVPOV410	410X16X3,7
HVPOV420	420X16X3,7
HVPOV430	430X16X3,7
HVPOV500	500X16X3,7
HVPOV510	510X16X3,7
HVPOV520	520X16X3,7
HVPOV530	530X16X3,7
HVPOV540	540X16X3,7
HVPOV600	600X16X3,7
HVPOV610	610X16X3,7
HVPOV630	630X16X3,7
HVPOV640	640X16X3,7

### STANDARD VERSION

CODICE	MISURA (mm)
HVP50	50X16X3,7
HVP60	60X16X3,7
HVP80	80X16X3,7
HVP100	100X16X3,7
HVP120	120X16X3,7
HVP130	130X16X3,7
HVP150	150X16X3,7
HVP170	170X16X3,7
HVP180	180X16X3,7
HVP190	190X16X3,7
HVP210	210X16X3,7
HVP230	230X16X3,7
HVP240	240X16X3,7
HVP400	400X16X3,7
HVP410	410X16X3,7
HVP420	420X16X3,7
HVP430	430X16X3,7
HVP500	500X16X3,7
HVP510	510X16X3,7
HVP520	520X16X3,7
HVP530	530X16X3,7
HVP540	540X16X3,7
HVP600	600X16X3,7
HVP610	610X16X3,7
HVP630	630X16X3,7
HVP640	640X16X3,7

## COLTELLI PIALLA PER SISTEMA VARIPLAN

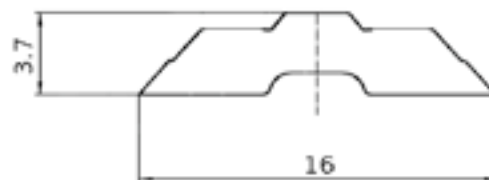
# HM

*Thin planer knives for Variplan System*

*Hobelmesser für System Variplan*

*Cuchillas para cepilladoras para Sistema Variplan*

*Строгальные ножи для системы Variplan*



<b>CODICE</b>	<b>MISURA</b> (mm)
HMVP50	50X16X3,7
HMVP60	60X16X3,7
HMVP80	80X16X3,7
HMVP100	100X16X3,7
HMVP120	120X16X3,7
HMVP130	130X16X3,7
HMVP150	150X16X3,7
HMVP170	170X16X3,7
HMVP180	180X16X3,7
HMVP190	190X16X3,7
HMVP210	210X16X3,7
HMVP230	230X16X3,7
HMVP240	240X16X3,7
HMVP400	400X16X3,7
HMVP410	410X16X3,7
HMVP420	420X16X3,7
HMVP430	430X16X3,7
HMVP500	500X16X3,7
HMVP510	510X16X3,7
HMVP520	520X16X3,7
HMVP530	530X16X3,7
HMVP540	540X16X3,7
HMVP600	600X16X3,7
HMVP610	610X16X3,7
HMVP630	630X16X3,7
HMVP640	640X16X3,7



## COLTELLI PIALLA PER SISTEMA SINUS

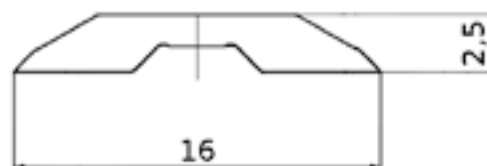
*Thin planer knives for Sinus System*

*Hobelmesser für System Sinus*

*Cuchillas para cepilladoras para Sistema Sinus*

*Строгальные ножи для системы Sinus*

# HSS



<b>CODICE</b>	<b>MISURA (mm)</b>
HSN80	80X16X2,5
HSN100	100X16X2,5
HSN120	120X16X2,5
HSN130	130X16X2,5
HSN140	140X16X2,5
HSN150	150X16X2,5
HSN160	160X16X2,5
HSN180	180X16X2,5
HSN190	190X16X2,5
HSN200	200X16X2,5
HSN210	210X16X2,5
HSN220	220X16X2,5
HSN230	230X16X2,5
HSN240	240X16X2,5
HSN250	250X16X2,5
HSN260	260X16X2,5
HSN300	300X16X2,5
HSN310	310X16X2,5
HSN400	400X16X2,5
HSN410	410X16X2,5
HSN430	430X16X2,5
HSN500	500X16X2,5
HSN510	510X16X2,5
HSN610	610X16X2,5
HSN630	630X16X2,5
HSN640	640X16X2,5
HSN710	710X16X2,5
HSN1050	1050X16X2,5

## COLTELLI PIALLA PER SISTEMA SINUS

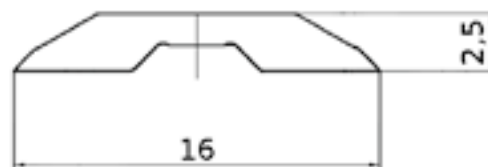
HM

*Thin planer knives for Sinus System*

*Hobelmesser für System Sinus*

*Cuchillas para cepilladoras para Sistema Sinus*

*Строгальные ножи для системы Sinus*



<b>CODICE</b>	<b>MISURA (mm)</b>
HMSN80	80X16X2,5
HMSN100	100X16X2,5
HMSN120	120X16X2,5
HMSN130	130X16X2,5
HMSN140	140X16X2,5
HMSN150	150X16X2,5
HMSN160	160X16X2,5
HMSN180	180X16X2,5
HMSN200	200X16X2,5
HMSN210	210X16X2,5
HMSN220	220X16X2,5
HMSN230	230X16X2,5
HMSN240	240X16X2,5
HMSN250	250X16X2,5
HMSN260	260X16X2,5
HMSN300	300X16X2,5
HMSN310	310X16X2,5
HMSN400	400X16X2,5
HMSN410	410X16X2,5
HMSN430	430X16X2,5
HMSN500	500X16X2,5
HMSN510	510X16X2,5
HMSN610	610X16X2,5
HMSN630	630X16X2,5
HMSN640	640X16X2,5

## COLTELLI PIALLA PER SISTEMA ENSHIN

*Thin planer knives for Enshin System*

*Hobelmesser für System Enshin*

*Cuchillas para cepilladoras para Sistema Enshin*

*Строгальные ножи для системы Enshin*

**HSS**



<b>CODICE</b>	<b>MISURA (mm)</b>
HEN80	80X12X2,7
HEN100	100X12X2,7
HEN130	130X12X2,7
HEN150	150X12X2,7
HEN170	170X12X2,7
HEN180	180X12X2,7
HEN190	190X12X2,7
HEN210	210X12X2,7
HEN230	230X12X2,7
HEN240	240X12X2,7
HEN1050	1050X12X2,7
HENB110	Bobina 110m 12X2,7

## COLTELLI PIALLA PER SISTEMA ENSHIN

*Thin planer knives for Enshin System*

*Hobelmesser für System Enshin*

*Cuchillas para cepilladoras para Sistema Enshin*

*Строгальные ножи для системы Enshin*

# HM



<b>CODICE</b>	<b>MISURA (mm)</b>
HMEN80	80X12X2,7
HMEN100	100X12X2,7
HMEN130	130X12X2,7
HMEN150	150X12X2,7
HMEN170	170X12X2,7
HMEN180	180X12X2,7
HMEN190	190X12X2,7
HMEN210	210X12X2,7
HMEN230	230X12X2,7
HMEN240	240X12X2,7
HMEN640	640X12X2,7

## COLTELLI PIALLA PER SISTEMA BULLDOZER

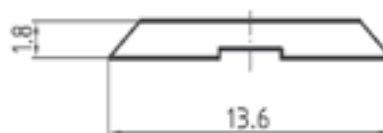
HM

*Thin planer knives for Bulldozer System*

*Hobelmesser für System Bulldozer*

*Cuchillas para cepilladoras para Sistema Bulldozer*

*Строгальные ножи для системы Bulldozer*



CODICE	MISURA
	(mm)
HMBZ60	60X13,6X1,8
HMBZ70	70X13,6X1,8
HMBZ80	80X13,6X1,8
HMBZ100	100X13,6X1,8
HMBZ110	110X13,6X1,8
HMBZ120	120X13,6X1,8
HMBZ130	130X13,6X1,8
HMBZ140	140X13,6X1,8
HMBZ150	150X13,6X1,8
HMBZ160	160X13,6X1,8
HMBZ180	180X13,6X1,8
HMBZ190	190X13,6X1,8
HMBZ200	200X13,6X1,8
HMBZ220	220X13,6X1,8
HMBZ230	230X13,6X1,8
HMBZ240	240X13,6X1,8
HMBZ250	250X13,6X1,8
HMBZ260	260X13,6X1,8

## COLTELLI PIALLA PER SISTEMA ESTA

Thin planer knives for Esta System

Hobelmesser für System Esta

Cuchillas para cepilladoras para Sistema Esta

Строгальные ножи для системы Esta

# HSS



CODICE	MISURA (mm)	CODICE	MISURA (mm)
HET601851	60 x 18,5 x 1	HET3051851	305 x 18,5 x 1
HET801851	80 x 18,5 x 1	HET3101851	310 x 18,5 x 1
HET1001851	100 x 18,5 x 1	HET3171851	317 x 18,5 x 1
HET1051851	105 x 18,5 x 1	HET3201851	320 x 18,5 x 1
HET1101851	110 x 18,5 x 1	HET3301851	330 x 18,5 x 1
HET1151851	115 x 18,5 x 1	HET3501851	350 x 18,5 x 1
HET1201851	120 x 18,5 x 1	HET3601851	360 x 18,5 x 1
HET1251851	125 x 18,5 x 1	HET3801851	380 x 18,5 x 1
HET1301851	130 x 18,5 x 1	HET4001851	400 x 18,5 x 1
HET1361851	136 x 18,5 x 1	HET4101851	410 x 18,5 x 1
HET1401851	140 x 18,5 x 1	HET4201851	420 x 18,5 x 1
HET1501851	150 x 18,5 x 1	HET4301851	430 x 18,5 x 1
HET1601851	160 x 18,5 x 1	HET4501851	450 x 18,5 x 1
HET1701851	170 x 18,5 x 1	HET4601851	460 x 18,5 x 1
HET1801851	180 x 18,5 x 1	HET5001851	500 x 18,5 x 1
HET1861851	186 x 18,5 x 1	HET5101851	510 x 18,5 x 1
HET1901851	190 x 18,5 x 1	HET5201851	520 x 18,5 x 1
HET2001851	200 x 18,5 x 1	HET5301851	530 x 18,5 x 1
HET2031851	203 x 18,5 x 1	HET6001851	600 x 18,5 x 1
HET2051851	205 x 18,5 x 1	HET6101851	610 x 18,5 x 1
HET2101851	210 x 18,5 x 1	HET6201851	620 x 18,5 x 1
HET2201851	220 x 18,5 x 1	HET6301851	630 x 18,5 x 1
HET2301851	230 x 18,5 x 1	HET6401851	640 x 18,5 x 1
HET2401851	240 x 18,5 x 1	HET6501851	650 x 18,5 x 1
HET2451851	245 x 18,5 x 1	HET6601851	660 x 18,5 x 1
HET2501851	250 x 18,5 x 1	HET7101851	710 x 18,5 x 1
HET2601851	260 x 18,5 x 1	HET7401851	740 x 18,5 x 1
HET2801851	280 x 18,5 x 1	HET7601851	760 x 18,5 x 1
HET3001851	300 x 18,5 x 1	HET8101851	810 x 18,5 x 1

**Da 60mm a 280mm confezioni da 20 pezzi / Da 300mm a 810mm confezioni da 12 pezzi**

*From 60mm to 280mm packed in 20 pieces / From 300mm to 810mm packed in 12 pieces*

*Von 60 mm zu 280 mm verpackung 20 stück / Von 300 mm zu 810 mm verpackung 12 stück*

*Largo da 60 mm a 280 mm paquete de 20 unidades / Largo da 300 mm a 810 mm paquete de 12 unidades*

*От 60 мм до 280 мм набор из 20 штук / От 300 мм до 810 мм набор из 12 штук*

*Misure speciali su richiesta - Special sizes on request - Sonderabmessungen auf Anfrage - medidas especiales sobre pedido - Специальные размеры под заказ*

## COLTELLI PIALLA PER SISTEMA ESTA

Thin planer knives for Esta System

Hobelmesser für System Esta

Cuchillas para cepilladoras para Sistema Esta

Строгальные ножи для системы Esta

## COBALIT



CODICE	MISURA (mm)	CODICE	MISURA (mm)
CET601851	60 x 18,5 x 1	CET3051851	305 x 18,5 x 1
CET801851	80 x 18,5 x 1	CET3101851	310 x 18,5 x 1
CET1001851	100 x 18,5 x 1	CET3171851	317 x 18,5 x 1
CET1051851	105 x 18,5 x 1	CET3201851	320 x 18,5 x 1
CET1101851	110 x 18,5 x 1	CET3301851	330 x 18,5 x 1
CET1151851	115 x 18,5 x 1	CET3501851	350 x 18,5 x 1
CET1201851	120 x 18,5 x 1	CET3601851	360 x 18,5 x 1
CET1251851	125 x 18,5 x 1	CET3801851	380 x 18,5 x 1
CET1301851	130 x 18,5 x 1	CET4001851	400 x 18,5 x 1
CET1361851	136 x 18,5 x 1	CET4101851	410 x 18,5 x 1
CET1401851	140 x 18,5 x 1	CET4201851	420 x 18,5 x 1
CET1501851	150 x 18,5 x 1	CET4301851	430 x 18,5 x 1
CET1601851	160 x 18,5 x 1	CET4501851	450 x 18,5 x 1
CET1701851	170 x 18,5 x 1	CET4601851	460 x 18,5 x 1
CET1801851	180 x 18,5 x 1	CET5001851	500 x 18,5 x 1
CET1861851	186 x 18,5 x 1	CET5101851	510 x 18,5 x 1
CET1901851	190 x 18,5 x 1	CET5201851	520 x 18,5 x 1
CET2001851	200 x 18,5 x 1	CET5301851	530 x 18,5 x 1
CET2031851	203 x 18,5 x 1	CET6001851	600 x 18,5 x 1
CET2051851	205 x 18,5 x 1	CET6101851	610 x 18,5 x 1
CET2101851	210 x 18,5 x 1	CET6201851	620 x 18,5 x 1
CET2201851	220 x 18,5 x 1	CET6301851	630 x 18,5 x 1
CET2301851	230 x 18,5 x 1	CET6401851	640 x 18,5 x 1
CET2401851	240 x 18,5 x 1	CET6501851	650 x 18,5 x 1
CET2451851	245 x 18,5 x 1	CET6601851	660 x 18,5 x 1
CET2501851	250 x 18,5 x 1	CET7101851	710 x 18,5 x 1
CET2601851	260 x 18,5 x 1	CET7401851	740 x 18,5 x 1
CET2801851	280 x 18,5 x 1	CET7601851	760 x 18,5 x 1
CET3001851	300 x 18,5 x 1	CET8101851	810 x 18,5 x 1

**Da 60mm a 280mm confezioni da 20 pezzi / Da 300mm a 810mm confezioni da 12 pezzi**

*From 60mm to 280mm packed in 20 pieces / From 300mm to 810mm packed in 12 pieces*

*Von 60 mm zu 280 mm verpackung 20 stück / Von 300 mm zu 810 mm verpackung 12 stück*

*Largo da 60 mm a 280 mm paquete de 20 unidades / Largo da 300 mm a 810 mm paquete de 12 unidades*

*От 60 мм до 280 мм набор из 20 штук / От 300 мм до 810 мм набор из 12 штук*

*Misure speciali su richiesta - Special sizes on request - Sonderabmessungen auf Anfrage - medidas especiales sobre pedido - Специальные размеры под заказ*

## TESTA PORTACOLTELLI PER SISTEMA ESTA

Supports for knives for Esta System

Wendemessersystem für Esta-system

Апоуо portacuchillas

Держатели ножей Esta



<b>CODICE</b>	<b>MISURA</b> (mm)
PET60	60
PET80	80
PET100	100
PET105	105
PET110	110
PET115	115
PET120	120
PET125	125
PET130	130
PET136	136
PET140	140
PET150	150
PET160	160
PET170	170
PET180	180
PET186	186
PET190	190
PET200	200
PET203	203
PET205	205
PET210	210
PET220	220
PET230	230
PET240	240
PET245	245
PET250	250
PET260	260
PET280	280
PET300	300

<b>CODICE</b>	<b>MISURA</b> (mm)
PET305	305
PET310	310
PET317	317
PET320	320
PET330	330
PET350	350
PET360	360
PET380	380
PET400	400
PET410	410
PET420	420
PET430	430
PET450	450
PET460	460
PET500	500
PET510	510
PET520	520
PET530	530
PET600	600
PET610	610
PET620	620
PET630	630
PET640	640
PET650	650
PET660	660
PET710	710
PET740	740
PET760	760
PET810	810



## BARRE

## HSS 18%

Bars

Rechtecksstangen

Barras

Пластины



<b>CODICE</b>	<b>MISURA</b> (LxHxS) mm
B650208	650x20x8
B650258	650x25x8
B650308	650x30x8
B650358	650x35x8
B650408	650x40x8
B650458	650x45x8
B650508	650x50x8
B6502010	650x20x10
B6502510	650x25x10
B6503010	650x30x10
B6503510	650x35x10
B6504010	650x40x10
B6504510	650x45x10
B6505010	650x50x10

## COLTELLI RIGATI

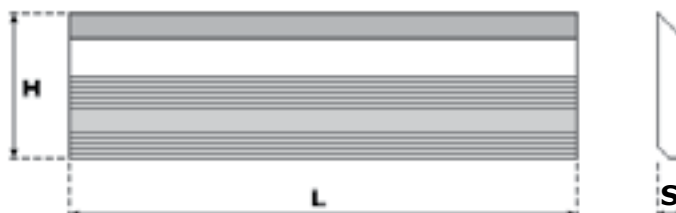
Corrugated knives

Blanketts

Cuchillas corrugadas

Бланкетные ножи

# Cr 13%



### Sp. 8mm / Thick 8mm

CODICE	MISURA (LxHxS) mm	CODICE	MISURA (LxHxS) mm
C40408	40x40x8	C150408	150x40x8
C40508	40x50x8	C150508	150x50x8
C40608	40x60x8	C150608	150x60x8
C40708	40x70x8	C150708	150x70x8
C60408	60x40x8	C180408	180x40x8
C60508	60x50x8	C180508	180x50x8
C60608	60x60x8	C180608	180x60x8
C60708	60x70x8	C180708	180x70x8
C80408	80x40x8	C230408	230x40x8
C80508	80x50x8	C230508	230x50x8
C80608	80x60x8	C230608	230x60x8
C80708	80x70x8	C230708	230x70x8
C100408	100x40x8	C260408	260x40x8
C100508	100x50x8	C260508	260x50x8
C100608	100x60x8	C260608	260x60x8
C100708	100x70x8	C260708	260x70x8
C120408	120x40x8	C650408	650x40x8
C120508	120x50x8	C650508	650x50x8
C120608	120x60x8	C650608	650x60x8
C120708	120x70x8	C650708	650x70x8
C130408	130x40x8	C650808	650x80x8
C130508	130x50x8	C6501008	650x100x8
C130608	130x60x8		
C130708	130x70x8		

### Sp. 4mm / Thick 4mm

CODICE	MISURA (LxHxS) mm
C650304	650x30x4
C650354	650x35x4
C650404	650x40x4
C650454	650x45x4

Lunghezze inferiori ai 650mm aumento 15%

Leghts under 650mm , 15% of rise in price

Für kürzere Längen von 650 mm - 15% erhöht

Largo menos de 650 mm aumento de 15%

Стандартная длина 650 мм, при заказе большей или меньшей длины цена увеличивается на 15%

### Sp. 5mm / Thick 5mm

CODICE	MISURA (LxHxS) mm
C650405	650x40x5
C650505	650x50x5
C650605	650x60x5

Lunghezze inferiori ai 650mm aumento 15%

Leghts under 650mm , 15% of rise in price

Für kürzere Längen von 650 mm - 15% erhöht

Largo menos de 650 mm aumento de 15%

Стандартная длина 650 мм, при заказе большей или меньшей длины цена увеличивается на 15%

### Sp. 6mm / Thick 6mm

CODICE	MISURA (LxHxS) mm
C650406	650x40x6
C650506	650x50x6
C650606	650x60x6
C650706	650x70x6

Lunghezze inferiori ai 650mm aumento 15%

Leghts under 650mm , 15% of rise in price

Für kürzere Längen von 650 mm - 15% erhöht

Largo menos de 650 mm aumento de 15%

Стандартная длина 650 мм, при заказе большей или меньшей длины цена увеличивается на 15%

## COLTELLI RIGATI

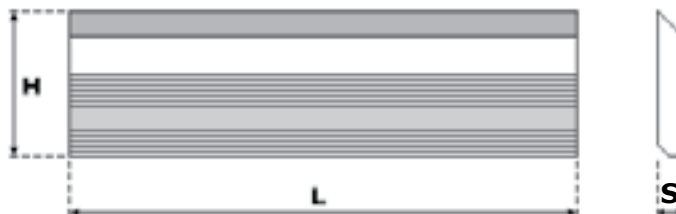
Corrugated knives

Blanketts

Cuchillas corrugadas

Бланкетные ножи

# HP



### Sp. 8mm / Thick 8mm

CODICE	MISURA (LxHxS) mm	CODICE	MISURA (LxHxS) mm
HP40408	40x40x8	HP150408	150x40x8
HP40508	40x50x8	HP150508	150x50x8
HP40608	40x60x8	HP150608	150x60x8
HP40708	40x70x8	HP150708	150x70x8
HP60408	60x40x8	HP180408	180x40x8
HP60508	60x50x8	HP180508	180x50x8
HP60608	60x60x8	HP180608	180x60x8
HP60708	60x70x8	HP180708	180x70x8
HP80408	80x40x8	HP230408	230x40x8
HP80508	80x50x8	HP230508	230x50x8
HP80608	80x60x8	HP230608	230x60x8
HP80708	80x70x8	HP230708	230x70x8
HP100408	100x40x8	HP260408	260x40x8
HP100508	100x50x8	HP260508	260x50x8
HP100608	100x60x8	HP260608	260x60x8
HP100708	100x70x8	HP260708	260x70x8
HP120408	120x40x8	HP650408	650x40x8
HP120508	120x50x8	HP650508	650x50x8
HP120608	120x60x8	HP650608	650x60x8
HP120708	120x70x8	HP650708	650x70x8
HP130408	130x40x8	HP650808	650x80x8
HP130508	130x50x8	HP6501008	650x100x8
HP130608	130x60x8		
HP130708	130x70x8		

### Sp. 4mm / Thick 4mm

CODICE	MISURA (LxHxS) mm
HP650304	650x30x4
HP650354	650x35x4
HP650404	650x40x4
HP650454	650x45x4

Lunghezze inferiori ai 650mm aumento 15%  
 Leghts under 650mm , 15% of rise in price  
 Für kürzere Längen von 650 mm - 15% erhöht  
 Largo menos de 650 mm aumento de 15%  
 Стандартная длина 650 мм, при заказе большей  
 или меньшей длины цена увеличивается на 15%

### Sp. 5mm / Thick 5mm

CODICE	MISURA (LxHxS) mm
HP650405	650x40x5
HP650505	650x50x5
HP650605	650x60x5

Lunghezze inferiori ai 650mm aumento 15%  
 Leghts under 650mm , 15% of rise in price  
 Für kürzere Längen von 650 mm - 15% erhöht  
 Largo menos de 650 mm aumento de 15%  
 Стандартная длина 650 мм, при заказе большей  
 или меньшей длины цена увеличивается на 15%

### Sp. 6mm / Thick 6mm

CODICE	MISURA (LxHxS) mm
HP650406	650x40x6
HP650506	650x50x6
HP650606	650x60x6
HP650706	650x70x6

Lunghezze inferiori ai 650mm aumento 15%  
 Leghts under 650mm , 15% of rise in price  
 Für kürzere Längen von 650 mm - 15% erhöht  
 Largo menos de 650 mm aumento de 15%  
 Стандартная длина 650 мм, при заказе большей  
 или меньшей длины цена увеличивается на 15%

## COLTELLI RIGATI

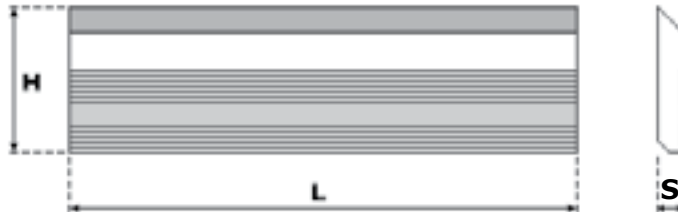
Corrugated knives

Blanketts

Cuchillas corrugadas

Бланкетные ножи

## HSS



### Sp. 8mm / Thick 8mm

CODICE	MISURA (LxHxS) mm	CODICE	MISURA (LxHxS) mm
H40408	40x40x8	H150408	150x40x8
H40508	40x50x8	H150508	150x50x8
H40608	40x60x8	H150608	150x60x8
H40708	40x70x8	H150708	150x70x8
H60408	60x40x8	H180408	180x40x8
H60508	60x50x8	H180508	180x50x8
H60608	60x60x8	H180608	180x60x8
H60708	60x70x8	H180708	180x70x8
H80408	80x40x8	H230408	230x40x8
H80508	80x50x8	H230508	230x50x8
H80608	80x60x8	H230608	230x60x8
H80708	80x70x8	H230708	230x70x8
H100408	100x40x8	H260408	260x40x8
H100508	100x50x8	H260508	260x50x8
H100608	100x60x8	H260608	260x60x8
H100708	100x70x8	H260708	260x70x8
H120408	120x40x8	H650408	650x40x8
H120508	120x50x8	H650508	650x50x8
H120608	120x60x8	H650608	650x60x8
H120708	120x70x8	H650708	650x70x8
H130408	130x40x8	H650808	650x80x8
H130508	130x50x8	H6501008	650x100x8
H130608	130x60x8		
H130708	130x70x8		

### Sp. 4mm / Thick 4mm

CODICE	MISURA (LxHxS) mm
H650304	650x30x4
H650354	650x35x4
H650404	650x40x4
H650454	650x45x4

Lunghezze inferiori ai 650mm aumento 15%  
Leghts under 650mm , 15% of rise in price

Für kürzere Längen von 650 mm - 15% erhöht

Largo menos de 650 mm aumento de 15%

Стандартная длина 650 мм, при заказе большей или меньшей длины цена увеличивается на 15%

### Sp. 5mm / Thick 5mm

CODICE	MISURA (LxHxS) mm
H650405	650x40x5
H650505	650x50x5
H650605	650x60x5

Lunghezze inferiori ai 650mm aumento 15%  
Leghts under 650mm , 15% of rise in price

Für kürzere Längen von 650 mm - 15% erhöht

Largo menos de 650 mm aumento de 15%

Стандартная длина 650 мм, при заказе большей или меньшей длины цена увеличивается на 15%

### Sp. 6mm / Thick 6mm

CODICE	MISURA (LxHxS) mm
H650406	650x40x6
H650506	650x50x6
H650606	650x60x6
H650706	650x70x6

Lunghezze inferiori ai 650mm aumento 15%  
Leghts under 650mm , 15% of rise in price

Für kürzere Längen von 650 mm - 15% erhöht

Largo menos de 650 mm aumento de 15%

Стандартная длина 650 мм, при заказе большей или меньшей длины цена увеличивается на 15%

## COLTELLI RIGATI

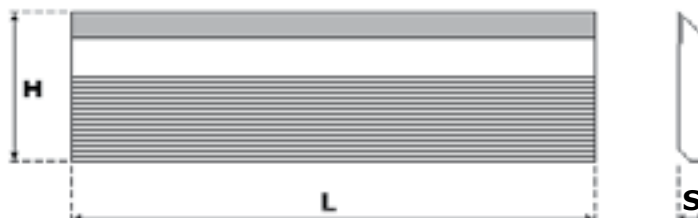
Corrugated knives

Blanketts

Cuchillas corrugadas

Бланкетные ножи

# HM



CODICE	MISURA (LxHxS) mm	HM	CODICE	MISURA (LxHxS) mm	HM
HM40408	40x40x8-10	15x2	HM130408	130x40x8-10	15x2
HM40508	40x50x8-10	20x2	HM130508	130x50x8-10	20x2
HM40608	40x60x8-10	25x2	HM130608	130x60x8-10	25x2
HM40708	40x70x8-10	30x2	HM130708	130x70x8-10	30x2
HM60408	60x40x8-10	15x2	HM150408	150x40x8-10	15x2
HM60508	60x50x8-10	20x2	HM150508	150x50x8-10	20x2
HM60608	60x60x8-10	25x2	HM150608	150x60x8-10	25x2
HM60708	60x70x8-10	30x2	HM150708	150x70x8-10	30x2
HM80408	80x40x8-10	15x2	HM180408	180x40x8-10	15x2
HM80508	80x50x8-10	20x2	HM180508	180x50x8-10	20x2
HM80608	80x60x8-10	25x2	HM180608	180x60x8-10	25x2
HM80708	80x70x8-10	30x2	HM180708	180x70x8-10	30x2
HM100408	100x40x8-10	15x2	HM230408	230x40x8-10	15x2
HM100508	100x50x8-10	20x2	HM230508	230x50x8-10	20x2
HM100608	100x60x8-10	25x2	HM230608	230x60x8-10	25x2
HM100708	100x70x8-10	30x2	HM230708	230x70x8-10	30x2
HM120408	120x40x8-10	15x2	HM650408	650x40x8-10	15x2
HM120508	120x50x8-10	20x2	HM650508	650x50x8-10	20x2
HM120608	120x60x8-10	25x2	HM650608	650x60x8-10	25x2
HM120708	120x70x8-10	30x2	HM650708	650x70x8-10	30x2

## COLTELLI RIGATI

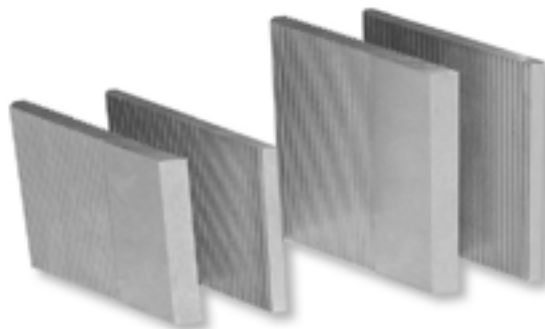
Corrugated knives

Blanketts

Cuchillas corrugadas

Бланкетные ножи

## DUPLEX SYSTEM



<b>CODICE</b>	<b>MISURA</b> (mm)	<b>CODICE</b>	<b>MISURA</b> (mm)
DSK404010	40x40x10	DSK406010	40x60x10
DSK504010	50x40x10	DSK506010	50x60x10
DSK604010	60x40x10	DSK606010	60x60x10
DSK804010	80x40x10	DSK806010	80x60x10
DSK1004010	100x40x10	DSK1006010	100x60x10
DSK1204010	120x40x10	DSK1206010	120x60x10
DSK1304010	130x40x10	DSK1306010	130x60x10
DSK1504010	150x40x10	DSK1506010	150x60x10
DSK1704010	170x40x10	DSK1706010	170x60x10
DSK1804010	180x40x10	DSK1806010	180x60x10
DSK2004010	200x40x10	DSK2006010	200x60x10
DSK2104010	210x40x10	DSK2106010	210x60x10
DSK2304010	230x40x10	DSK2306010	230x60x10
DSK3104010	310x40x10	DSK3106010	310x60x10
DSK3304010	330x40x10	DSK3306010	330x60x10
DSK405010	40x50x10		
DSK505010	50x50x10		
DSK605010	60x50x10		
DSK805010	80x50x10		
DSK1005010	100x50x10		
DSK1205010	120x50x10		
DSK1305010	130x50x10		
DSK1505010	150x50x10		
DSK1705010	170x50x10		
DSK1805010	180x50x10		
DSK2005010	200x50x10		
DSK2105010	210x50x10		
DSK2305010	230x50x10		
DSK3105010	310x50x10		
DSK3305010	330x50x10		



## METALLO DURO

Carbide

Hart metall

Metal durox

Твердые металлы

## DUPLEX SYSTEM



<b>CODICE</b>	<b>MISURA (mm)</b>	<b>CODICE</b>	<b>MISURA (mm)</b>
HM40383	40x38x3	HM40603	40x60x3
HM50383	50x38x3	HM50603	50x60x3
HM60383	60x38x3	HM60603	60x60x3
HM80383	80x38x3	HM80603	80x60x3
HM100383	100x38x3	HM100603	100x60x3
HM120383	120x38x3	HM120603	120x60x3
HM130383	130x38x3	HM130603	130x60x3
HM150383	150x38x3	HM150603	150x60x3
HM170383	170x38x3	HM170603	170x60x3
HM180383	180x38x3	HM180603	180x60x3
HM200383	200x38x3	HM200603	200x60x3
HM210383	210x38x3	HM210603	210x60x3
HM230383	230x38x3	HM230603	230x60x3
HM310383	310x38x3	HM310603	310x60x3
HM330383	330x38x3	HM330603	330x60x3
HM40503	40x50x3		
HM50503	50x50x3		
HM60503	60x50x3		
HM80503	80x50x3		
HM100503	100x50x3		
HM120503	120x50x3		
HM130503	130x50x3		
HM150503	150x50x3		
HM170503	170x50x3		
HM180503	180x50x3		
HM200503	200x50x3		
HM210503	210x50x3		
HM230503	230x50x3		
HM310503	310x50x3		
HM330503	330x50x3		

## COLTELLI PIALLA GREEN LINE

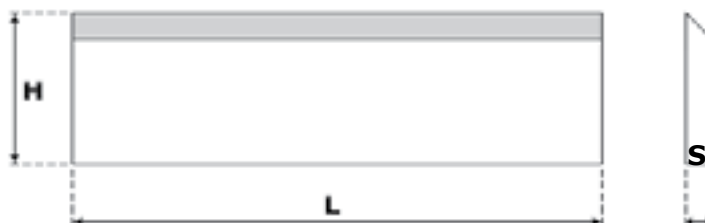
Thin planer knives green line

Hobelmesser green line

Cuchillas para cepilladoras green line

Строгальные ножи green line

# HSS 18%



<b>CODICE</b>	<b>MISURA</b> (LxHxS) mm	<b>CODICE</b>	<b>MISURA</b> (LxHxS) mm	<b>CODICE</b>	<b>MISURA</b> (LxHxS) mm
HGL120203	120x20x3	HGL350203	350x20x3	HGL530203	530x20x3
HGL120253	120x25x3	HGL350253	350x25x3	HGL530253	530x25x3
HGL120303	120x30x3	HGL350303	350x30x3	HGL530303	530x30x3
HGL120353	120x35x3	HGL350353	350x35x3	HGL530353	530x35x3
HGL150203	150x20x3	HGL400203	400x20x3	HGL600203	600x20x3
HGL150253	150x25x3	HGL400253	400x25x3	HGL600253	600x25x3
HGL150303	150x30x3	HGL400303	400x30x3	HGL600303	600x30x3
HGL150353	150x35x3	HGL400353	400x35x3	HGL600353	600x35x3
HGL180203	180x20x3	HGL410203	410x20x3	HGL630203	630x20x3
HGL180253	180x25x3	HGL410253	410x25x3	HGL630253	630x25x3
HGL180303	180x30x3	HGL410303	410x30x3	HGL630303	630x30x3
HGL180353	180x35x3	HGL410353	410x35x3	HGL630353	630x35x3
HGL230203	230x20x3	HGL500203	500x20x3	HGL700203	700x20x3
HGL230253	230x25x3	HGL500253	500x25x3	HGL700253	700x25x3
HGL230303	230x30x3	HGL500303	500x30x3	HGL700303	700x30x3
HGL230353	230x35x3	HGL500353	500x35x3	HGL700353	700x35x3
HGL260203	260x30x3	HGL510203	510x20x3	HGL800203	800x20x3
HGL260253	260x25x3	HGL510253	510x25x3	HGL800253	800x25x3
HGL260303	260x30x3	HGL510303	510x30x3	HGL800303	800x30x3
HGL260353	260x35x3	HGL510353	510x35x3	HGL800353	800x35x3
HGL300203	300x20x3	HGL520203	520x20x3	HGL1080203	1080x20x3
HGL300253	300x25x3	HGL520253	520x25x3	HGL1080253	1080x25x3
HGL300303	300x30x3	HGL520303	520x30x3	HGL1080303	1080x30x3
HGL300353	300x35x3	HGL520353	520x35x3	HGL1080353	1080x35x3



## COLTELLI RIGATI GREEN LINE

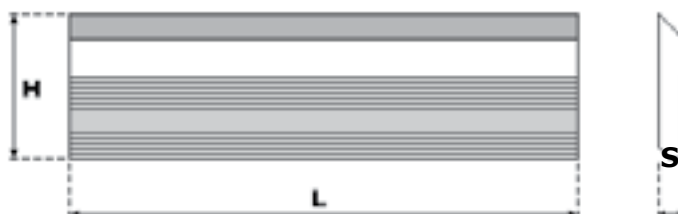
*Corrugated knives green line*

*Blanketts green line*

*Cuchillas corrugadas green line*

*Бланкетные ножи green line*

# HSS



<b>CODICE</b>	<b>MISURA (LxHxS) mm</b>	<b>CODICE</b>	<b>MISURA (LxHxS) mm</b>
HGL40408	40x40x8	HGL150408	150x40x8
HGL40508	40x50x8	HGL150508	150x50x8
HGL40608	40x60x8	HGL150608	150x60x8
HGL40708	40x70x8	HGL150708	150x70x8
HGL60408	60x40x8	HGL180408	180x40x8
HGL60508	60x50x8	HGL180508	180x50x8
HGL60608	60x60x8	HGL180608	180x60x8
HGL60708	60x70x8	HGL180708	180x70x8
HGL80408	80x40x8	HGL230408	230x40x8
HGL80508	80x50x8	HGL230508	230x50x8
HGL80608	80x60x8	HGL230608	230x60x8
HGL80708	80x70x8	HGL230708	230x70x8
HGL100408	100x40x8	HGL260408	260x40x8
HGL100508	100x50x8	HGL260508	260x50x8
HGL100608	100x60x8	HGL260608	260x60x8
HGL100708	100x70x8	HGL260708	260x70x8
HGL120408	120x40x8	HGL650408	650x40x8
HGL120508	120x50x8	HGL650508	650x50x8
HGL120608	120x60x8	HGL650608	650x60x8
HGL120708	120x70x8	HGL650708	650x70x8
HGL130408	130x40x8		
HGL130508	130x50x8		
HGL130608	130x60x8		
HGL130708	130x70x8		

## **HARDMETAL - CARATTERISTICHE DEL GRANO**

*Grain size definition*

*Korngrößendefinition*

*Tamaño del grano*

*Твердые металлы - характеристики звена*

<b>Sigla</b>	<b>Dettaglio</b>	<b>Dimensioni</b>
UF	Ultrafine	02 - 0,5
SM	Submicron	0,5 - 0,8
F	Fine	08 - 1,3
M	Medium	1,3 - 2,5

## HARDMETAL - APPLICAZIONI

*Applications*

*Anwendungen Aplicaciones*

*Aplicaciones*

*Твердые металлы - наложения*

<b>Grado</b>	<b>Legno Tenero</b>	<b>Legno Duro</b>	<b>Truciolare</b>	<b>MDF</b>	<b>HDF</b>
<b>Grade</b>	<b>Soft wood</b>	<b>Hardwood</b>	<b>Chipboard</b>	<b>MDF</b>	<b>HDF</b>
<b>UF.01-4.HM</b>			**	***	****
<b>SM.01-4.HMT</b>			***	****	***
<b>SM.01-4.MT</b>		***	****	**	**
<b>F.01-4.T</b>	*	*	**	*	
<b>TOP.01-4</b>	*	**	**	**	
<b>UF.10-3.HMTDT</b>	**	**	**	**	**
<b>M.20-3.T</b>	**				
<b>M.30-2.DT</b>	*	*			
<b>F.10/40-3.DT</b>	**	**			

\* Accettabile / Acceptable

\*\* Buono / Good

\*\*\* Molto buono / Very Good

\*\*\*\* Ottimo / Excellent

# COLTELLI REVERSIBILI STANDARD

# HW 35° Z=2

Reversible knives

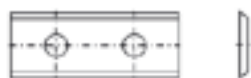
Wendeschnidplatten

Cuchillas reversibles

Сменные твердосплавные ножи стандарт

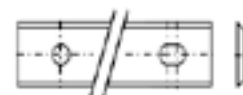


L	H	S	I	Codice-40	Codice-10	Codice20	Codice-30	Codice-90	Codice-50	Codice-80
mm	mm	mm	mm	F-01-4.T	UF.01-4.HM	SM.01-4.HMT	SM.01-4.MT	F.10/40.3.DT	TOP.01-4.F	M.30-2.DT
7.5	12.0	1.5		01.40.751215	01.10.751215	01.20.751215	01.30.751215	01.90.751215	01.50.751215	01.80.751215
8.6	12.0	1.5		01.40.861215	01.10.861215	01.20.861215	01.30.861215	01.90.861215	01.50.861215	01.80.861215
9.0	12.0	1.5		01.40.90125	01.10.90125	01.20.90125	01.30.90125	01.90.90125	01.50.90125	01.80.90125
9.6	12.0	1.5		01.40.961215	01.10.961215	01.20.961215	01.30.961215	01.90.961215	01.50.961215	01.80.961215
10.0	12.0	1.5		01.40.101215	01.10.101215	01.20.101215	01.30.101215	01.90.101215	01.50.101215	01.80.101215
11.0	12.0	1.5		01.40.111215	01.10.111215	01.20.111215	01.30.111215	01.90.111215	01.50.111215	01.80.111215
11.6	12.0	1.5		01.40.1161215	01.10.1161215	01.20.1161215	01.30.1161215	01.90.1161215	01.50.1161215	01.80.1161215
15.0	12.0	1.5		01.40.151215	01.10.151215	01.20.151215	01.30.151215	01.90.151215	01.50.151215	01.80.151215
20.0	12.0	1.5		01.40.201215	01.10.201215	01.20.201215	01.30.201215	01.90.201215	01.50.201215	01.80.201215
25.0	12.0	1.5		01.40.251215	01.10.251215	01.20.251215	01.30.251215	01.90.251215	01.50.251215	01.80.251215



L	H	S	I	Codice-40	Codice10	Codice20	Codice-30	Codice-90	Codice-50	Codice-80
mm	mm	mm	mm	F-01-4.T	UF.01-4.HM	SM.01-4.HMT	SM.01-4.MT	F.10/40.3.DT	TOP.01-4.F	M.30-2.DT
25.0	12.0	1.5	14.0	01.40.251215	01.10.251215	01.20.251215	01.30.251215	01.90.251215	01.50.251215	01.80.251215
30.0	12.0	1.5	14.0	01.40.301215	01.10.301215	01.20.301215	01.30.301215	01.90.301215	01.40.301215	01.80.301215
40.0	12.0	1.5	26.0	01.40.401215	01.10.401215	01.20.401215	01.30.401215	01.90.401215	01.50.401215	01.80.401215
50.0	12.0	1.5	26.0	01.40.501215	01.10.501215	01.20.501215	01.30.501215	01.90.501215	01.50.501215	01.80.501215
60.0	12.0	1.5	26.0	01.40.601215	01.10.601215	01.20.601215	01.30.601215	01.90.601215	01.50.601215	01.80.601215

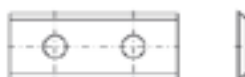
L	H	S	I	Codice-80	Codice-30	Codice-90	Codice-50
mm	mm	mm	mm	M.30-2.DT	SM.01-4.MT	F.10/40.3.DT	TOP.01-4.F
80.0	13.0	2.2	60.0	01.80.801322	01.30.801322	01.90.801322	01.50.801322
100.0	13.0	2.2	60.0	01.80.1001322	01.30.1001322	01.90.1001322	01.50.1001322
120.0	13.0	2.2	60.0	01.80.1201322	01.30.1201322	01.90.1201322	01.50.1201322



L	H	S	I	Codice-40	Codice-30
mm	mm	mm	mm	F-01-4.T	SM.01-4.MT
20.0	12.0	2,5		01.40.201225	01.30.201225



L	H	S	I	Codice-40	Codice-30
mm	mm	mm	mm	F-01-4.T	SM.01-4.MT
30.0	12.0	2,5		01.40.301225	01.30.301225
50.0	12.0	2,5		01.40.501225	01.30.501225



## COLTELLI REVERSIBILI STANDARD

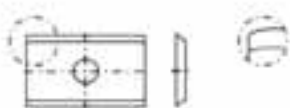
## HW Z=2

Reversible knives

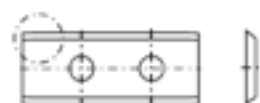
Wendeschnidplatten

Cuchillas reversibles

Сменные твердосплавные ножи стандарт



L	H	S		Codice	Codice	Codice
mm	mm	mm		F-01-4.T	F.10/40.3.DT	TOP.01-4.F
20,0	12.0	1.5	35°	02.40.201215	02.90.201215	02.50.201215
24,0	12.0	1.5	40°	02.40.241215	02.90.241215	02.50.241215
24,7	12.0	1.5	35°	02.40.2471215	02.90.2471215	02.50.2471215



L	H	S		Codice	Codice	Codice
mm	mm	mm		F-01-4.T	F.10/40.3.DT	TOP.01-4.F
30,0	12.0	1.5	35°	02.40.301215	02.90.301215	02.50.301215
40.0	12.0	1.5	35°	02.40.401215	02.90.401215	02.50.401215
50.0	12.0	1.5	35°	02.40.501215	02.90.501215	02.50.501215
60.0	12.0	1.5	35°	02.40.601215	02.90.601215	02.50.601215



L	H	S		Codice	Codice	Codice
mm	mm	mm		F-01-4.T	F.10/40.3.DT	TOP.01-4.F
30,0	12.0	2,5	35°	02.40.301225	02.90.301225	02.50.301225

## COLTELLI REVERSIBILI

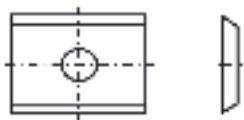
# HW 45°

Reversible knives

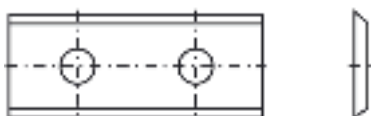
Wendeschnidplatten

Cuchillas reversibles

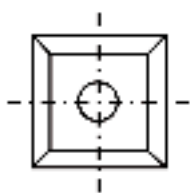
Сменные твердосплавные ножи



L	W	T	I	Codice	Codice
mm	mm	mm	mm	<b>M.30-2.DT</b>	F.10/40.3.DT
7.5	12	1.5		06.80.751215-1F	06.90.751215-1F
9.6	12	1.5		06.80.961215-1F	06.90.961215-1F
15	12	1.5		06.80.151215-1F	06.90.151215-1F
20	12	1.5		06.80.201215-1F	06.90.201215-1F
25	12	1.5		06.80.251215-1F	06.90.251215-1F



L	W	T	I	Codice	Codice
mm	mm	mm	mm	<b>M.30-2.DT</b>	F.10/40.3.DT
25	12	1.5	14	06.80.251215-2F	06.90.251215-2F
30	12	1.5	14	06.80.301215-2F	06.90.301215-2F
40	12	1.5	26	06.80.401215-2F	06.90.401215-2F
50	12	1.5	26	06.80.501215-2F	06.90.501215-2F
60	12	1.5	26	06.80.601215-2F	06.90.601215-2F



L	W	T	I	Codice	Codice
mm	mm	mm	mm	<b>M.30-2.DT</b>	F.10/40.3.DT
12	12	1.5		06.80.121215	06.90.121215

## COLTELLI PER INCASTRI

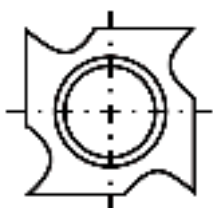
# HW

Corrugated knives Duplex System

Blanketts für System Duplex

Cuchillas corrugadas para Sistema Duplex

Сменные твердосплавные ножи для пазов



L	W	T	I	Codice
mm	mm	mm	mm	<b>M.30-2.DT</b>
18.0	18.0	1.95		07.80.1818195
18.0	18.0	2.45		07.80.1818245
18.0	18.0	2.95		07.80.1818295
18.0	18.0	3.70		07.80.1818370

## RASANTI TRIANGOLARI

# HW

Corrugated knives Duplex System

Blanketts für System Duplex

Cuchillas corrugadas para Sistema Duplex

Сменные треугольные твердосплавные ножи



L	W	T	I	Codice
mm	mm	mm	mm	<b>M.30-2.DT</b>
22.9	19.8	2.5	3.0°	08.80.22919825
22.0	19.0	2.0	3.0°	08.80.22192

## COLTELLI REVERSIBILI

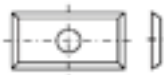
## HW Z=4

Reversible knives

Wendeschnidplatten

Cuchillas reversibles

Сменные твердосплавные ножи



L	H	S	I	Codice	Codice	Codice
mm	mm	mm	mm	<b>F-01-4.T</b>	<b>SM.01-4.MT</b>	<b>F.10/40.3.DT</b>
19.5	8.0	1.5		03.0.195815	03.30.195815	03.90.195815
19.5	9.0	1.5		03.0.195915	03.30.195915	03.90.195915
19.5	12.0	1.5		03.0.1951215	03.30.1951215	03.90.1951215



L	H	S	I	Codice	Codice	Codice
mm	mm	mm	mm	<b>F-01-4.T</b>	<b>SM.01-4.MT</b>	<b>F.10/40.3.DT</b>
29.5	8.0	1.5	14.0	03.0.295815	03.30.295815	03.90.295815
29.5	9.0	1.5	14.0	03.0.295915	03.30.295915	03.90.295915
29.5	12.0	1.5	14.0	03.0.2951215	03.30.2951215	03.90.2951215



L	H	S	I	Codice	Codice	Codice
mm	mm	mm	mm	<b>F-01-4.T</b>	<b>SM.01-4.MT</b>	<b>F.10/40.3.DT</b>
49.5	8.0	1.5	26.0	03.0.495815	03.30.495815	03.90.495815
49.5	9.0	1.5	26.0	03.0.495915	03.30.495915	03.90.495915
49.5	12.0	1.5	26.0	03.0.4951215	03.30.4951215	03.90.4951215



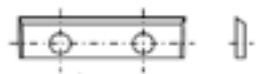
L	H	S	I	Codice	Codice	Codice
mm	mm	mm	mm	<b>F-01-4.T</b>	<b>SM.01-4.MT</b>	<b>F.10/40.3.DT</b>
50.0	12.0	1.7	37.0	03.0.501217	03.30.501217	03.90.501217



L	H	S	I	Codice	Codice	Codice
mm	mm	mm	mm	<b>F-01-4.T</b>	<b>SM.01-4.MT</b>	<b>F.10/40.3.DT</b>
16.0	7.0	1.5	7.0	03.0.16715-1	03.30.16715-1	03.90.16715-1



L	H	S	I	Codice	Codice	Codice
mm	mm	mm	mm	<b>F-01-4.T</b>	<b>SM.01-4.MT</b>	<b>F.10/40.3.DT</b>
16.0	7.0	1.5	7.0	03.0.16715-2	03.30.16715-2	03.90.16715-2



L	H	S	I	Codice	Codice	Codice
mm	mm	mm	mm	<b>F-01-4.T</b>	<b>SM.01-4.MT</b>	<b>F.10/40.3.DT</b>
23.0	7.0	1.5	14.0	03.0.23715	03.30.23715	03.90.23715
28.0	7.0	1.5	14.0	03.0.28715	03.30.28715	03.90.28715

## COLTELLI REVERSIBILI RASANTI

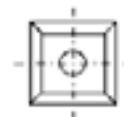
Reversible square knives

Quadratische wendeschneidplatten

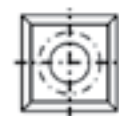
Cuchillas reversible quadras

Сменные квадратные твердосплавные ножи

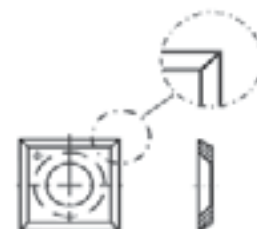
# HW



L	H	S	d	Codice	Codice	Codice	Codice	Codice	Codice
mm	mm	mm	mm	F-01-4.T	M.30-2.DT	SM.01-4.HMT	SM.01-4.MT	F.10/40.3.DT	TOP.01-4.F
12.0	12.0	1.5	35°- d 4	04.40.1215	04.80.1215	04.20.1215	04.30.1215	04.90.1215	04.50.1215
17.0	17.0	2.0	35°- d 3	04.40.172-1	04.80.172-1	04.20.172-1	04.30.172-1	04.90.172-1	04.50.172-1
17.0	17.0	2.0	35°- d 4	04.0.172-2	04.80.172-2	04.20.172-2	04.30.172-2	04.0.172-2	04.0.172-2



L	H	S	d	Codice	Codice	Codice	Codice	Codice	Codice
mm	mm	mm	mm	F-01-4.T	M.30-2.DT	SM.01-4.HMT	SM.01-4.MT	F.10/40.3.DT	TOP.01-4.F
13.6	13.6	2.0	30°	04.40.1362-1	04.80.1362-1	04.20.1362-1	04.30.1362-1	04.90.1362-1	04.50.1362-1
13.6	13.6	2.0	45°	04.40.1362-2	04.80.1362-2	04.20.1362-2	04.30.1362-2	04.90.1362-2	04.50.1362-2
14.0	14.0	1.2	30°	04.40.1412	04.80.1412	04.20.1412	04.30.1412	04.90.1412	04.50.1412
14.0	14.0	1.7	22°	04.40.1417-1	04.80.1417-1	04.20.1417-1	04.30.1417-1	04.90.1417-1	04.50.1417-1
14.0	14.0	1.7	30°	04.40.147-2	04.80.147-2	04.20.147-2	04.30.147-2	04.90.147-2	04.50.147-2
14.0	14.0	2.0	30°	04.40.142	04.80.142	04.20.142	04.30.142	04.90.142	04.50.142



L	H	S	d	Codice	Codice	Codice	Codice	Codice	Codice
mm	mm	mm	mm	F-01-4.T	M.30-2.DT	SM.01-4.HMT	SM.01-4.MT	F.10/40.3.DT	TOP.01-4.F
14.3	14.3	2.5	35°	04.40.14325-AV	04.80.14325-AV	04.20.14325-AV	04.30.14325-AV	04.90.14325-AV	04.50.14325-AV
14.6	14.6	2.5	30°	04.40.14625-AV	04.80.14625-AV	04.20.14625-AV	04.30.14625-AV	04.90.14625-AV	04.50.14625-AV
15.0	15.0	2.5	30°	04.40.1525-AV	04.80.1525-AV	04.20.1525-AV	04.30.1525-AV	04.90.1525-AV	04.50.1525-AV



## COLTELLI REVERSIBILI RASANTI

Reversible square knives

Quadratische wendeschneidplatten

Cuchillas reversible quadras

Сменные квадратные твердосплавные ножи

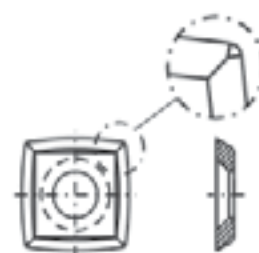
# HW



L	H	S	d	Codice	Codice	Codice	Codice	Codice	Codice
mm	mm	mm	mm	F-01-4.T	M.30-2.DT	SM.01-4.HMT	SM.01-4.MT	F.10/40.3.DT	TOP.01-4.F
14.3	14.3	2.5	30°	04.40.14325-AT	04.80.14325-AT	04.20.14325-AT	04.30.14325-AT	04.90.14325-AT	04.50.14325-AT
14.6	14.6	2.5	30°	04.40.14625-AT	04.80.14625-AT	04.20.14625-AT	04.30.14625-AT	04.90.14625-AT	04.50.14625-AT
15.0	15.0	2.5	30°	04.40.1525-AT	04.80.1525-AT	04.20.1525-AT	04.30.1525-AT	04.90.1525-AT	04.50.1525-AT



L	H	S	d	Codice	Codice	Codice	Codice	Codice	Codice
mm	mm	mm	mm	F-01-4.T	M.30-2.DT	SM.01-4.HMT	SM.01-4.MT	F.10/40.3.DT	TOP.01-4.F
21.0	21.0	5.5	40°						



L	H	S	R	Codice	Codice	Codice	Codice	Codice	Codice
mm	mm	mm	mm	F-01-4.T	M.30-2.DT	SM.01-4.HMT	SM.01-4.MT	F.10/40.3.DT	TOP.01-4.F
14.0	14.0	2.0	150	04.40.142-R150-AT	04.80.142-R150-AT	04.20.142-R150-AT	04.30.142-R150-AT	04.90.142-R150-AT	04.50.142-R150-AT
14.6	14.6	2.5	150	04.40.14625-R150-AT	04.80.14625-R150-AT	04.20.14625-R150-AT	04.30.14625-R150-AT	04.90.14625-R150-AT	04.50.14625-R150-AT
15.0	15.0	2.5	150	04.40.1525-R150-AT	04.80.1525-R150-AT	04.20.1525-R150-AT	04.30.1525-R150-AT	04.90.1525-R150-AT	04.50.1525-R150-AT
15.0	15.0	2.5	50	04.40.1525-R50-AT	04.80.1525-R50-AT	04.20.1525-R50-AT	04.30.1525-R50-AT	04.90.1525-R50-AT	04.50.1525-R50-AT



L	H	S	R	Codice	Codice	Codice	Codice	Codice	Codice
mm	mm	mm	mm	F-01-4.T	M.30-2.DT	SM.01-4.HMT	SM.01-4.MT	F.10/40.3.DT	TOP.01-4.F
14.0	14.0	2.0	150	04.40.142-R150-AV	04.80.142-R150-AV	04.20.142-R150-AV	04.30.142-R150-AV	04.90.142-R150-AV	04.50.142-R150-AV
14.6	14.6	2.5	150	04.40.14625-R150-AV	04.80.14625-R150-AV	04.20.14625-R150-AV	04.30.14625-R150-AV	04.90.14625-R150-AV	04.50.14625-R150-AV
15.0	15.0	2.5	150	04.40.1525-R150-AV	04.80.1525-R150-AV	04.20.1525-R150-AV	04.30.1525-R150-AV	04.90.1525-R150-AV	04.50.1525-R150-AV
15.0	15.0	2.5	50	04.40.1525-R50-AV	04.80.1525-R50-AV	04.20.1525-R50-AV	04.30.1525-R50-AV	04.90.1525-R50-AV	04.50.1525-R50-AV

## COLTELLI REVERSIBILI SPECIALI

## HW

Special reversible knives

Spezial-wendeschneidplatten

Cuchillas reversible especial

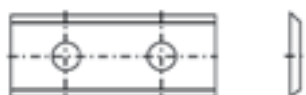
Сменные твердосплавные специальные ножи



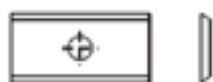
L	H	S	I	Codice	Codice	Codice
mm	mm	mm	mm	<b>F-01-4.T</b>	<b>SM.01-4.MT</b>	<b>F.10/40.3.DT</b>
20.0	14.3	2.5		05.40.2014325-A	05.30.2014325-A	05.90.2014325-A



L	H	S	I	Codice	Codice	Codice
mm	mm	mm	mm	<b>F-01-4.T</b>	<b>SM.01-4.MT</b>	<b>F.10/40.3.DT</b>
44.5	15.0	1.5	25.0	05.40.4451515-B	05.30.4451515-B	05.90.4451515-B



L	H	S	I	Codice	Codice	Codice
mm	mm	mm	mm	<b>F-01-4.T</b>	<b>SM.01-4.MT</b>	<b>F.10/40.3.DT</b>
30.0	12.0	1.5	16.0	05.40.301215-C	05.30.301215-C	05.90.301215-C



L	H	S	I	Codice	Codice	Codice
mm	mm	mm	mm	<b>F-01-4.T</b>	<b>SM.01-4.MT</b>	<b>F.10/40.3.DT</b>
24.0	12.0	1.5		0540.241215-D	05.30.241215-D	05.90.241215-D



L	H	S	I	Codice	Codice	Codice
mm	mm	mm	mm	<b>F-01-4.T</b>	<b>SM.01-4.MT</b>	<b>F.10/40.3.DT</b>
30.0	12.0	1.5	14.0	05.40.301215-E	05.30.301215-E	05.90.301215-E
50.0	12.0	1.5	26.0	05.40.501215-E	05.30.501215-E	05.90.501215-E



L	H	S	I	Codice	Codice	Codice
mm	mm	mm	mm	<b>F-01-4.T</b>	<b>SM.01-4.MT</b>	<b>F.10/40.3.DT</b>
30.0	12.0	1.5	14.0	05.40.301215-F	05.30.301215-F	05.90.301215-F
50.0	12.0	1.5	26.0	05.40.501215-F	05.30.501215-F	05.90.501215-F

## COLTELLI REVERSIBILI SPECIALI

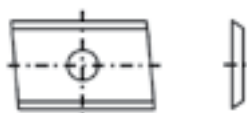
## HW

Special reversible knives

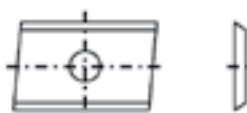
Spezial-wendeschneidplatten

Cuchillas reversible especial

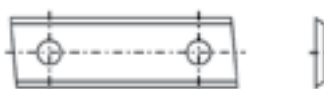
Сменные твердосплавные специальные ножи



L	H	S	I	Codice	Codice	Codice
mm	mm	mm	mm	<b>F-01-4.T</b>	<b>SM.01-4.MT</b>	<b>F.10/40.3.DT</b>
20.0	12.0	1.5		05.40.201215-G	05.30.201215-G	05.90.201215-G



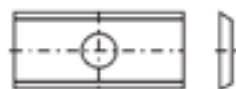
L	H	S	I	Codice	Codice	Codice
mm	mm	mm	mm	<b>F-01-4.T</b>	<b>SM.01-4.MT</b>	<b>F.10/40.3.DT</b>
20.0	12.0	1.5		05.40.201215-H	05.30.201215-H	05.90.201215-H



L	H	S	I	Codice	Codice	Codice
mm	mm	mm	mm	<b>F-01-4.T</b>	<b>SM.01-4.MT</b>	<b>F.10/40.3.DT</b>
30.0	12.0		14.0	05.40.301215-I	05.30.301215-I	05.90.301215-I
40.0	12.0		26.0	05.40.401215-I	05.30.401215-I	05.90.401215-I
50.0	12.0	1.5	26.0	05.40.501215-I	05.30.501215-I	05.90.501215-I



L	H	S	I	Codice	Codice	Codice
mm	mm	mm	mm	<b>F-01-4.T</b>	<b>SM.01-4.MT</b>	<b>F.10/40.3.DT</b>
30.0	12.0		14.0	05.40.301215-L	05.30.301215-L	05.90.301215-L
40.0	12.0		26.0	05.40.401215-L	05.30.401215-L	05.90.401215-L
50.0	12.0	1.5	26.0	05.40.501215-L	05.30.501215-L	05.90.501215-L



L	H	S	I	Codice	Codice	Codice
mm	mm	mm	mm	<b>F-01-4.T</b>	<b>SM.01-4.MT</b>	<b>F.10/40.3.DT</b>
20.0	9.0	1.5		05.40.20915-M	05.30.20915-M	05.90.20915-M



L	H	S	I	Codice	Codice	Codice
mm	mm	mm	mm	<b>F-01-4.T</b>	<b>SM.01-4.MT</b>	<b>F.10/40.3.DT</b>
			14.0	05.40.24915-N	05.30.24915-N	05.90.24915-N
			14.0	05.40.30915-N	05.30.30915-N	05.90.30915-N
			26.0	05.40.40915-N	05.30.40915-N	05.90.40915-N

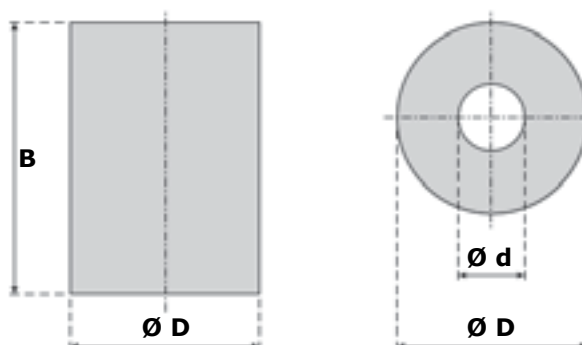
## TESTE PORTACOLTELLI PIALLA IN LEGA LEGGERA

Alluminium cutter heads for planer knives

Köpfe leichtmetall für hobelmesser

Cabezales portacuchillas de cepillo en aluminio

Дюралевые ножевые барабаны для плоского строгания



<b>CODICE</b>	<b>Ø D</b> (mm)	<b>B</b> (mm)	<b>Ø d</b> (mm)	<b>Z</b>
TPL125604	125	60	40/50	4
TPL125804	125	80	40/50	4
TPL1251004	125	100	40/50	4
TPL1251204	125	120	40/50	4
TPL1251304	125	130	40/50	4
TPL1251504	125	150	40/50	4
TPL1251804	125	180	40/50	4
TPL1251904	125	190	40/50	4
TPL1252304	125	230	40/50	4
TPL1252404	125	240	40/50	4

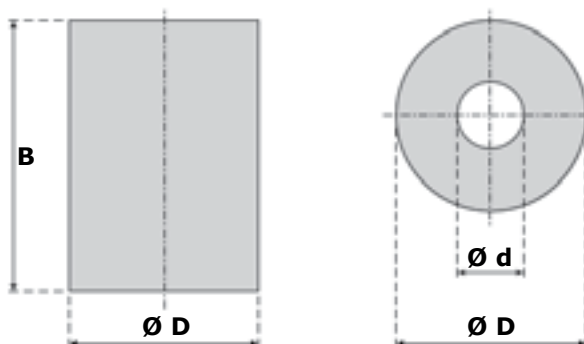
## TESTE PORTACOLTELLI PIALLA ACCIAIO

Steel cutter heads for planer knives

Köpfe zu stahl für hobelmesser

Cabezales portacuchillas de cepillo en acero

Стальные ножевые барабаны для плоского строгания



CODICE	Ø D (mm)	B (mm)	Ø d (mm)	Z
TPA125604	125	60	40/50	4
TPA125804	125	80	40/50	4
TPA1251004	125	100	40/50	4
TPA1251204	125	120	40/50	4
TPA1251304	125	130	40/50	4
TPA1251504	125	150	40/50	4
TPA1251804	125	180	40/50	4
TPA1251904	125	190	40/50	4
TPA1252304	125	230	40/50	4
TPA1252404	125	240	40/50	4

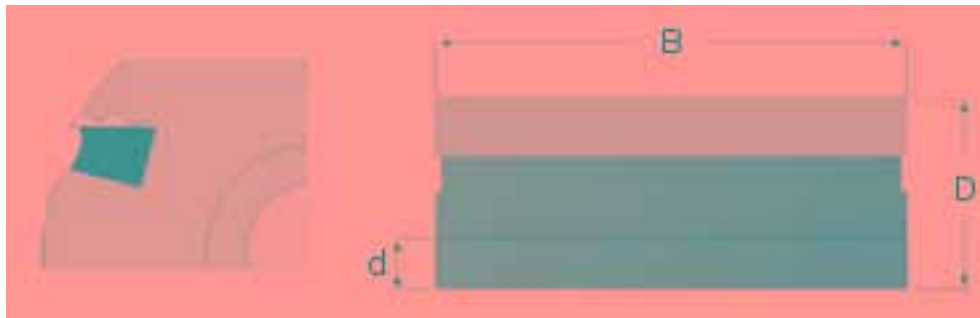
## TESTE CENTROLOCK LEGA LEGGERA

*Cutterheads light alloy for Centrolock knives*

*Köpfe leichtmetall für Centrolock messer*

*Cabezales Centrolock en aluminio*

*Дюралевые барабаны Centrolock*



Codice	D	B	d	Z
TCL1001204	100	120	35	4
TCL1001904	100	190	35	4
TCL1251004	125	100	40	4
TCL1251304	125	130	40	4
TCL1251504	125	150	40	4
TCL1251804	125	180	40	4
TCL1252104	125	210	40	4
TCL1252304	125	230	40	4
TCL1252504	125	250	40	4
TCL1401004	140	100	40-50	4
TCL1401304	140	130	40-50	4
TCL1401504	140	150	40-50	4
TCL1401804	140	180	40-50	4
TCL1402104	140	210	40-50	4
TCL1402304	140	230	40-50	4
TCL1402504	140	250	40-50	4
TCL1601006	160	100	40-50	6
TCL1601306	160	130	40-50	6
TCL1601506	160	150	40-50	6
TCL1601806	160	180	40-50	6
TCL1602106	160	210	40-50	6
TCL1602306	160	230	40-50	6
TCL1602506	160	250	40-50	6

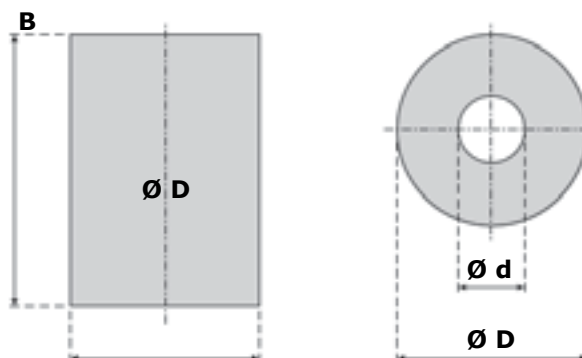
## TESTE PORTACOLTELLI ELICOIDALI PRE PIALLATURA

*Spiral planing cutter heads*

*Spiral Hobelmesserkopf*

*Cabezales portacuchillas para cepillar*

*Барабаны с винтовым расположением ножей предварительного строгания*



<b>CODICE</b>	<b>Ø D</b> (mm)	<b>B</b> (mm)	<b>Ø d</b> (mm)	<b>Z</b>
TEP125120	125	120	40	36
TEP125130	125	130	40	42
TEP125150	125	150	40	48
TEP125180	125	180	40	54
TEP125230	125	230	40	72
TEP125260	125	260	40	78
TEP140120	140	120	40	36
TEP140130	140	130	40	42
TEP140150	140	150	40	48
TEP140180	140	180	40	54
TEP140230	140	230	40	72
TEP140260	140	260	40	78

### Coltelli reversibili a pg. 44

*Reversible knives pg. 44*

*HW Messer für hobelsysteme pg.44*

*Cuchillas reversibles HW pg.44*

*Сменные пластины HW pg.44*

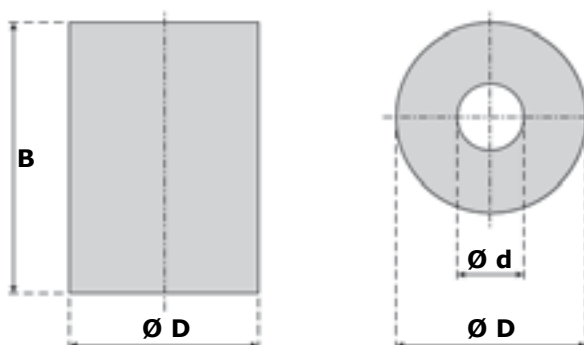
## TESTE PORTACOLTELLI ELICOIDALI SPIANATURA

*Spiral cutter heads*

*Spiral Hobelmesserkopf*

*Cabezales portacuchillas para rebajar*

*Барабаны с винтовым расположением ножей  
выравнивающие*



<b>CODICE</b>	<b>Ø D</b> (mm)	<b>B</b> (mm)	<b>Ø d</b> (mm)	<b>Z</b>
TES100110	100	110	40	18
TES100120	100	120	40	16
TES100130	100	130	40	16
TES100180	100	180	40	24
TES125110	125	110	40	18
TES125120	125	120	40	16
TES125130	125	130	40	16
TES125150	125	150	40	18
TES125180	125	180	40	24
TES125230	125	230	40	30
TES140110	140	110	40	18
TES140130	140	130	40	16
TES140150	140	150	40	18
TES140180	140	180	40	24
TES140230	140	230	40	30

### Coltelli reversibili a pg. 44

*Reversible knives pg. 44*

*HW Messer für hobelsysteme pg.44*

*Cuchillas reversibles HW pg.44*

*Сменные пластины HW pg.44*

*Misure speciali su richiesta - Special sizes on request - Sonderabmessungen auf Anfrage - medidas especiales sobre pedido - Специальные размеры под заказ*



## TESTE PORTACOLTELLI PIALLA HYDRO CON INGRASSATORI LATERALI

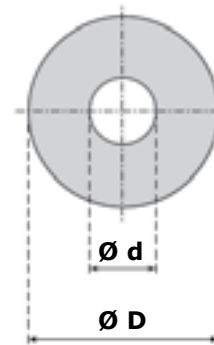


*Hydro cutter heads for planer knives with lateral grease valve*

*Hydro Schneidköpfe für die Aufnahme von Hobelmessern mit Seitenseinschmierung*

*Cabezales portacuchillas de cepillo hydro con engrasadores laterales*

*Гидрозажимные ножевые барабаны для плоского строгания*



CODICE	Ø D (mm)	B (mm)	Ø d (mm)	Z	CODICE	Ø D (mm)	B (mm)	Ø d (mm)	Z
HPL143604	143	60	40	4	HPL2031506	203	150	40/45/50/60	6
HPL1431004	143	100	40	4	HPL2032306	203	230	40/45/50/60	6
HPL1431304	143	130	40	4	HPL2032606	203	260	40/45/50/60	6
HPL1431504	143	150	40	4	HPL163608	163	60	40/45/50/60	8
HPL1431604	143	160	40	4	HPL1631008	163	100	40/45/50/60	8
HPL1432304	143	230	40	4	HPL1631308	163	130	40/45/50/60	8
HPL163604	163	60	40	4	HPL1631508	163	150	40/45/50/60	8
HPL1631004	163	100	40/45/50/60	4	HPL1631608	163	160	40/45/50/60	8
HPL1631304	163	130	40/45/50/60	4	HPL1631808	163	180	40/45/50/60	8
HPL1631504	163	150	40/45/50/60	4	HPL1632308	163	230	40/45/50/60	8
HPL1631604	163	160	40/45/50/60	4	HPL1632608	163	260	40/45/50/60	8
HPL1631704	163	170	40/45/50/60	4	HPL2031508	203	150	40/45/50/60	8
HPL1631804	163	180	40/45/50/60	4	HPL2032308	203	230	40/45/50/60	8
HPL1632304	163	230	40/45/50/60	4	HPL2032608	203	260	40/45/50/60	8
HPL1632404	163	240	40/45/50/60	4	HPL2033108	203	310	40/45/50/60	8
HPL1632604	163	260	40/45/50/60	4	HPL20310510	203	105	40/45/50/60	10
HPL1633104	163	310	40/45/50/60	4	HPL20315010	203	150	40/45/50/60	10
HPL163606	163	60	40/45/50/60	6	HPL20316010	203	160	40/45/50/60	10
HPL1631006	163	100	40/45/50/60	6	HPL20323010	203	230	40/45/50/60	10
HPL1631306	163	130	40/45/50/60	6	HPL20326010	203	260	40/45/50/60	10
HPL1631506	163	150	40/45/50/60	6	HPL20331010	203	310	40/45/50/60	10
HPL1631606	163	160	40/45/50/60	6	HPL20310512	203	105	40/45/50/60	12
HPL1631706	163	170	40/45/50/60	6	HPL20315012	203	150	40/45/50/60	12
HPL1631806	163	180	40/45/50/60	6	HPL20323012	203	230	40/45/50/60	12
HPL1632306	163	230	40/45/50/60	6	HPL20326012	203	260	40/45/50/60	12
HPL1632406	163	240	40/45/50/60	6	HPL20331012	203	310	40/45/50/60	12
HPL1632606	163	260	40/45/50/60	6					
HPL1633106	163	310	40/45/50/60	6					

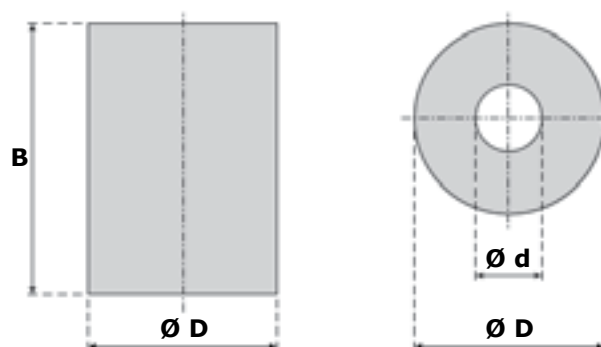
## TESTE PORTACOLTELLI PIALLA HYDRO CON INGRASSATORI VERTICALI

*Hydro cutter heads for planer knives with vertical grease valve*

*Hydro Schneidköpfe für die Aufnahme von Hobelmessern mit Vertikaleinschmierung*

*Cabezales portacuchillas de cepillo hydro con engrasadores verticales*

*Гидрозажимные ножевые барабаны для плоского строгания*



<b>CODICE</b>	<b>Ø D</b> (mm)	<b>B</b> (mm)	<b>Ø d</b> (mm)	<b>Z</b>
HPV1631504	163	150	40/45/50/60	4
HPV1632304	163	230	40/45/50/60	4
HPV1632604	163	260	40/45/50/60	4
HPV1633104	163	310	40/45/50/60	4
HPV1631506	163	150	40/45/50/60	6
HPV1632306	163	230	40/45/50/60	6
HPV1632606	163	260	40/45/50/60	6
HPV1633106	163	310	40/45/50/60	6
HPV1631508	163	150	40/45/50	8
HPV1632308	163	230	40/45/50	8
HPV1632608	163	260	40/45/50	8
HPV1633108	163	310	40/45/50	8
HPV2031508	203	150	40/45/50/60	8
HPV2032308	203	230	40/45/50/60	8
HPV2032608	203	260	40/45/50/60	8
HPV2033108	203	310	40/45/50/60	8
HPV20315012	203	150	40/45/50/60	12
HPV20323012	203	230	40/45/50/60	12
HPV20326012	203	260	40/45/50/60	12
HPV20331012	203	310	40/45/50/60	12
HPV20315016	203	150	40/45/50/60	16
HPV20323016	203	230	40/45/50/60	16
HPV20326016	203	260	40/45/50/60	16
HPV20331016	203	310	40/45/50/60	16

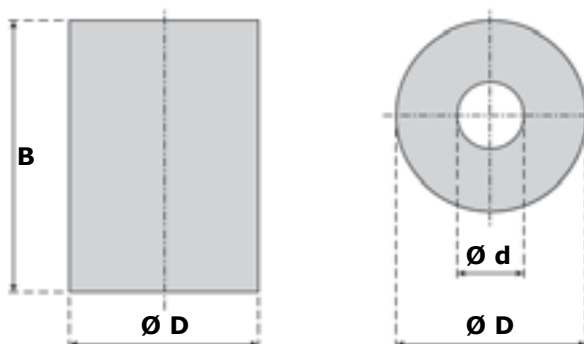
## TESTE PORTACOLTELLI RIGATI IN ACCIAIO

Steel cutter heads for corrugated knives

Schneidköpfe für Aufnahme von Blanketts

Cabezales portacuchillas corrugadas en acero

Ножевые барабаны для профильной обработки



CODICE	Ø D (mm)	B (mm)	Ø d (mm)	Z
TRA122404	122	40	30/35/40	4
TRA122604	122	60	30/35/40	4
TRA122804	122	80	30/35	4
TRA1221004	122	100	30/35	4
TRA1221304	122	130	30/35	4
TRA1221504	122	150	40	4
TRA1221804	122	180	40	4
TRA1222304	122	230	40	4
TRA137504	137	50	40	4
TRA137604	137	60	40	4
TRA137804	137	80	40	4
TRA1371004	137	100	40	4
TRA1371304	137	130	40	4
TRA1371504	137	150	40	4
TRA1371804	137	180	40	4

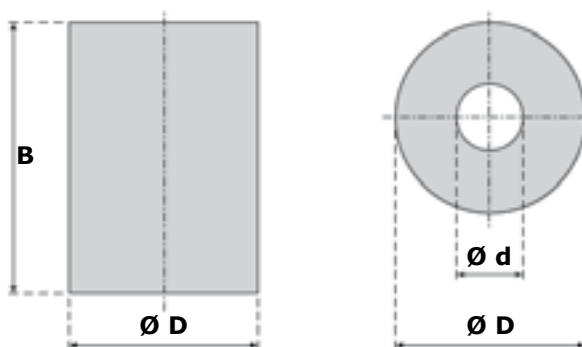
## TESTE PORTACOLTELLI RIGATI HYDRO CON INGRASSATORI LATERALI

Hydro cutter heads for corrugated knives with lateral grease valve

Hydro Schneidköpfe für die Aufnahme von Blanketts mit Seitenseinschmierung

Cabezales portacuchillas corrugadas hydro con engrasadores laterales

Гидрозажимные ножевые барабаны для профильной обработки



CODICE	Ø D (mm)	B (mm)	Ø d (mm)	Z
HRL137604	137	60	40/45	4
HRL1371004	137	100	40/45	4
HRL1371504	137	150	40/45	4
HRL152604	152	60	40/45/50/60	4
HRL1521004	152	100	40/45/50/60	4
HRL1521504	152	150	40/45/50/60	4
HRL1522304	152	230	40/45/50/60	4
HRL152606	152	60	40/45/50/60	6
HRL1521006	152	100	40/45/50/60	6
HRL1521306	152	130	40/45/50/60	6
HRL1521506	152	150	40/45/50/60	6
HRL1521806	152	180	40/45/50/60	6
HRL1522306	152	230	40/45/50/60	6
HRL1522606	152	260	40/45/50/60	6
HRL1523106	152	310	40/45/50/60	6
HRL163608	163	60	40/45/50/60	8
HRL1631008	163	100	40/45/50/60	8
HRL1631308	163	130	40/45/50/60	8
HRL1631508	163	150	40/45/50/60	8
HRL1632308	163	230	40/45/50/60	8
HRL1632608	163	260	40/45/50/60	8
HRL1633108	163	310	40/45/50/60	8

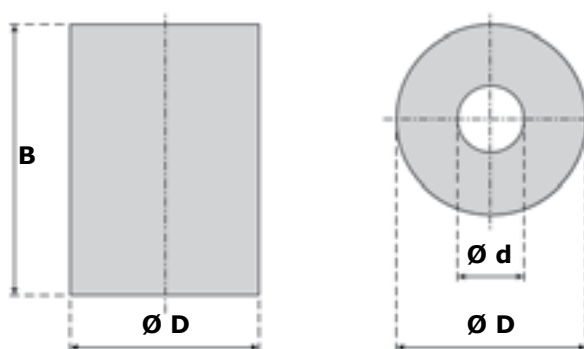
## TESTE PORTACOLTELLI RIGATI HYDRO CON INGRASSATORI VERTICALI

Hydro cutter heads for corrugated knives with vertical grease valve

Hydro Schneidköpfe für die Aufnahme von Blanketts mit Vertikaleinschmierung

Cabezales portacuchillas corrugadas hydro con engrasadores verticales

Гидрозажимные ножевые барабаны для профильной обработки



CODICE	Ø D (mm)	B (mm)	Ø d (mm)	Z
HRV152604	152	60	40/45/50	4
HRV1521004	152	100	40/45/50	4
HRV1521304	152	130	40/45/50	4
HRV1521504	152	150	40/45/50	4
HRV1521804	152	180	40/45/50	4
HRV1522304	152	230	40/45/50	4
HRV152606	152	60	40/45/50	6
HRV1521006	152	100	40/45/50	6
HRV1521306	152	130	40/45/50	6
HRV1521506	152	150	40/45/50	6
HRV1521806	152	180	40/45/50	6
HRV1522306	152	230	40/45/50	6
HRV163606	163	60	40/45/50	6
HRV1631006	163	100	40/45/50	6
HRV1631306	163	130	40/45/50	6
HRV1631506	163	150	40/45/50	6
HRV1631806	163	180	40/45/50	6
HRV1632306	163	230	40/45/50	6

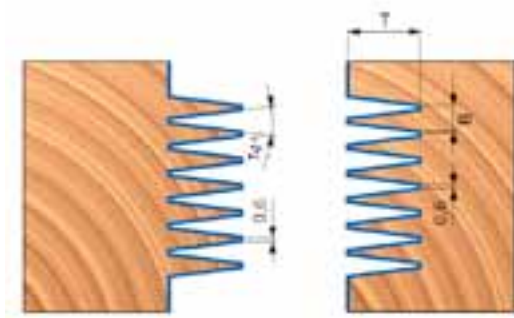
## FRESE PER GIUNZIONI

*Finger Joint Brazed Cutters*

*Minizinkenfräser*

*Fresas para empalme*

*Фрезы для сращивания*



CODICE	ø D (mm)	B (mm)	ø d (mm)	Z	T (mm)
FJ160450.2	160	4	50	2	10 / 11,5
FJ1601050.2	160	10	50	2	10 / 11,5
FJ1603770.2	160	3.7	70	2	9 / 10
FJ1603870.2	160	3.8	70	2	10 / 11
FJ160470.2	160	4	70	2	10 / 11,5
FJ1601070.2	160	10	70	2	10 / 11,5
FJ1603770.4	160	3.7	70	4	9 / 10
FJ160470.4	160	4	70	4	10 / 11,5
FJ1601070.4	160	10	70	4	10 / 11,5

**Produzione per lotti minimi da 300 pz., salvo disponibilità in stock**

*Minimun quantity 300 pcs, if not available on stock*

*Mindestmenge von 30 Stück*

*Mínimo de un lote de producción de 300 piezas*

*Производительность для мин количества из 300 штук, остальное если имеется на складе*

*Misure speciali su richiesta - Special sizes on request - Sonderabmessungen auf Anfrage - medidas especiales sobre pedido - Специальные размеры под заказ*

## PUNTE COMPONENTI PER FORI CIECHI

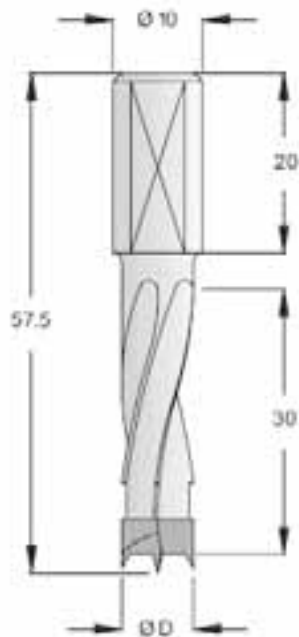
## HW

Dowell drill bits

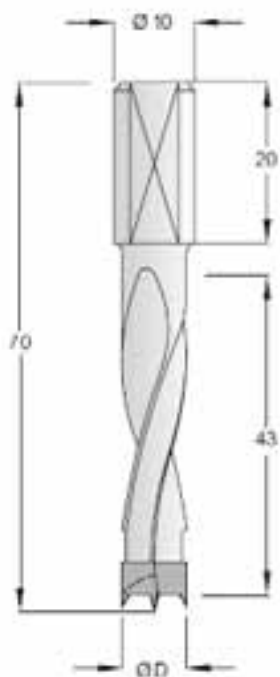
Düdelbohrer

Broca para agujero ciego

Сверла для глухих отверстий с твердосплавной режущей частью



Ø D	L	DX - RH	SX - LH
4	57.5	FC.SB.I.57/4.D	FC.SB.I.57/4.S
5	57.5	FC.SB.I.57/5.D	FC.SB.I.57/5.S
5.5	57.5	FC.SB.I.57/55.D	FC.SB.I.57/55.S
6	57.5	FC.SB.I.57/6.D	FC.SB.I.57/6.S
6,35-I	57.5	FC.SB.I.57/635.D	FC.SB.I.57/635.S
7	57.5	FC.SB.I.57/7.D	FC.SB.I.57/7.S
8	57.5	FC.SB.I.57/8.D	FC.SB.I.57/8.S
8.2	57.5	FC.SB.I.57/82.D	FC.SB.I.57/82.S
9	57.5	FC.SB.I.57/9.D	FC.SB.I.57/9.S
9,5-I	57.5	FC.SB.I.57/95.D	FC.SB.I.57/95.S
10	57.5	FC.SB.I.57/10.D	FC.SB.I.57/10.S
10.5	57.5	FC.SB.I.57/105.D	FC.SB.I.57/105.S
11	57.5	FC.SB.I.57/11.D	FC.SB.I.57/11.S
12	57.5	FC.SB.I.57/12.D	FC.SB.I.57/12.S
12,7-I	57.5	FC.SB.I.57/127.D	FC.SB.I.57/127.S
13	57.5	FC.SB.I.57/13.D	FC.SB.I.57/13.S
14	57.5	FC.SB.I.57/14.D	FC.SB.I.57/14.S
15	57.5	FC.SB.I.57/15.D	FC.SB.I.57/15.S
16	57.5	FC.SB.I.57/16.D	FC.SB.I.57/16.S



hØ D	L	DX - RH	SX - LH
4	70	FC.SB.I.70/4.D	FC.SB.I.70/4.S
5	70	FC.SB.I.70/5.D	FC.SB.I.70/5.S
5.5	70	FC.SB.I.70/55.D	FC.SB.I.70/55.S
6	70	FC.SB.I.70/6.D	FC.SB.I.70/6.S
6,35-I	70	FC.SB.I.70/635.D	FC.SB.I.70/635.S
7	70	FC.SB.I.70/7.D	FC.SB.I.70/7.S
7.5	70	FC.SB.I.70/75.D	FC.SB.I.70/75.S
8	70	FC.SB.I.70/8.D	FC.SB.I.70/8.S
8.2	70	FC.SB.I.70/82.D	FC.SB.I.70/82.S
9	70	FC.SB.I.70/9.D	FC.SB.I.70/9.S
9,5-I	70	FC.SB.I.70/95.D	FC.SB.I.70/95.S
10	70	FC.SB.I.70/10.D	FC.SB.I.70/10.S
10.5	70	FC.SB.I.70/105.D	FC.SB.I.70/105.S
11	70	FC.SB.I.70/11.D	FC.SB.I.70/11.S
12	70	FC.SB.I.70/12.D	FC.SB.I.70/12.S
12,7-I	70	FC.SB.I.70/127.D	FC.SB.I.70/127.S
13	70	FC.SB.I.70/13.D	FC.SB.I.70/13.S
14	70	FC.SB.I.70/14.D	FC.SB.I.70/14.S
15	70	FC.SB.I.70/15.D	FC.SB.I.70/15.S
16	70	FC.SB.I.70/16.D	FC.SB.I.70/16.S

## PUNTE COMPONENTI PER FORI CIECHI

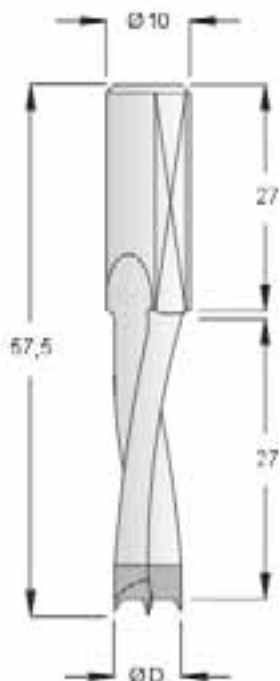
## HW

Dowell drill bits

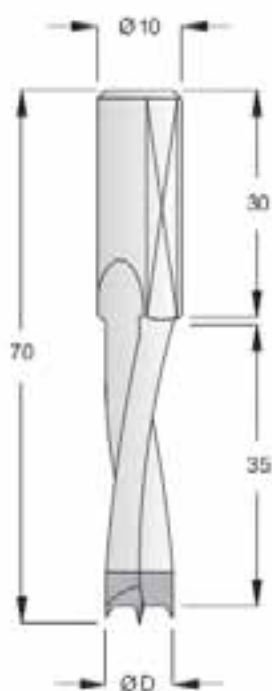
Düdelbohrer

Broca para agujero ciego

Сверла для глухих отверстий с твердосплавной режущей частью



Ø D	L	DX - RH	SX - LH
4	57.5	FC.SB.G.57/4.D	FC.SB.G.57/4.S
5	57.5	FC.SB.G.57/5.D	FC.SB.G.57/5.S
6	57.5	FC.SB.G.57/6.D	FC.SB.G.57/6.S
6,35-I	57.5	FC.SB.G.57/635.D	FC.SB.G.57/635.S
7	57.5	FC.SB.G.57/7.D	FC.SB.G.57/7.S
8	57.5	FC.SB.G.57/8.D	FC.SB.G.57/8.S
8.2	57.5	FC.SB.G.57/82.D	FC.SB.G.57/82.S
9	57.5	FC.SB.G.57/9.D	FC.SB.G.57/9.S
9,5-I	57.5	FC.SB.G.57/95.D	FC.SB.G.57/95.S
10	57.5	FC.SB.G.57/10.D	FC.SB.G.57/10.S
11	57.5	FC.SB.G.57/11.D	FC.SB.G.57/11.S
12	57.5	FC.SB.G.57/12.D	FC.SB.G.57/12.S
12,7-I	57.5	FC.SB.G.57/127.D	FC.SB.G.57/127.S
13	57.5	FC.SB.G.57/13.D	FC.SB.G.57/13.S
14	57.5	FC.SB.G.57/14.D	FC.SB.G.57/14.S
15	57.5	FC.SB.G.57/15.D	FC.SB.G.57/15.S
16	57.5	FC.SB.G.57/16.D	FC.SB.G.57/16.S



Ø D	L	DX - RH	SX - LH
4	70	FC.SB.G.70/4.D	FC.SB.G.70/4.S
5	70	FC.SB.G.70/5.D	FC.SB.G.70/5.S
5.5	70	FC.SB.G.70/55.D	FC.SB.G.70/55.S
6	70	FC.SB.G.70/6.D	FC.SB.G.70/6.S
6,35-I	70	FC.SB.G.70/635.D	FC.SB.G.70/635.S
7	70	FC.SB.G.70/7.D	FC.SB.G.70/7.S
8	70	FC.SB.G.70/8.D	FC.SB.G.70/8.S
8.2	70	FC.SB.G.70/82.D	FC.SB.G.70/82.S
9	70	FC.SB.G.70/9.D	FC.SB.G.70/9.S
9,5-I	70	FC.SB.G.70/95.D	FC.SB.G.70/95.S
10	70	FC.SB.G.70/10.D	FC.SB.G.70/10.S
11	70	FC.SB.G.70/11.D	FC.SB.G.70/11.S
12	70	FC.SB.G.70/12.D	FC.SB.G.70/12.S
12,7-I	70	FC.SB.G.70/127.D	FC.SB.G.70/127.S
13	70	FC.SB.G.70/13.D	FC.SB.G.70/13.S
14	70	FC.SB.G.70/14.D	FC.SB.G.70/14.S
15	70	FC.SB.G.70/15.D	FC.SB.G.70/15.S
16	70	FC.SB.G.70/16.D	FC.SB.G.70/16.S



## PUNTE SPECIALI PER FORI CIECHI

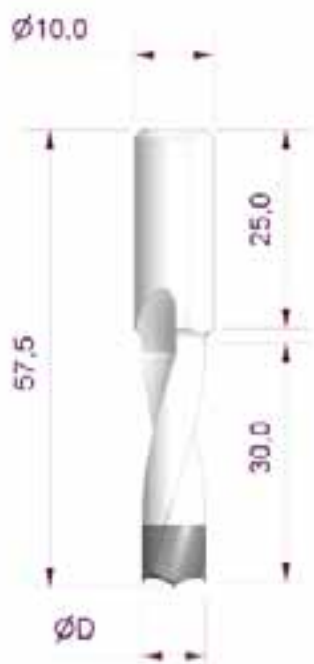
Special dowell drill bits

Spezialdübelboher

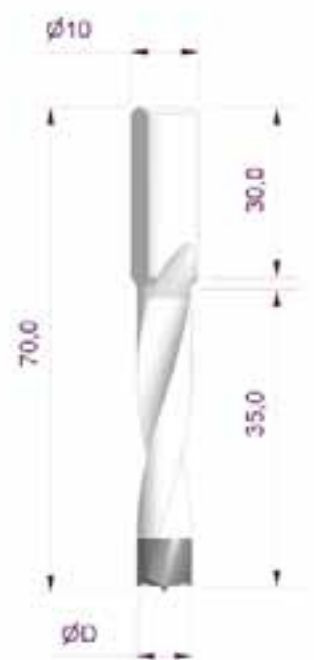
Broca para agujero ciego

Сверла специальные для глухих отверстий с твердосплавной режущей частью

# HW



Ø D	L	DX - RH	SX - LH
5	57.5	FC.SB.HP.57/4.D	FC.SB.HP.57/4.S
6	57.5	FC.SB.HP.57/6.D	FC.SB.HP.57/6.S
8	57.5	FC.SB.HP.57/8.D	FC.SB.HP.57/8.S
10	57.5	FC.SB.HP.57/10.D	FC.SB.HP.57/10.S
12	57.5	FC.SB.HP.57/12.D	FC.SB.HP.57/12.S



Ø D	L	DX - RH	SX - LH
5	70	FC.SB.HP.70/4.D	FC.SB.HP.70/4.S
6	70	FC.SB.HP.70/6.D	FC.SB.HP.70/6.S
8	70	FC.SB.HP.70/8.D	FC.SB.HP.70/8.S
10	70	FC.SB.HP.70/10.D	FC.SB.HP.70/10.S
12	70	FC.SB.HP.70/12.D	FC.SB.HP.70/12.S

## PUNTE SPECIALI PER FORI CIECHI

Solid carbide special dowel drill bits

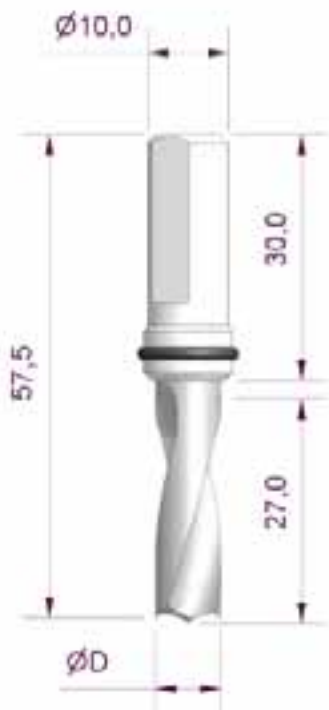
Spezialdübelboher

Broca para agujero ciego

Сверла специальные для глухих отверстий полностью из твердого сплава

# HW

solid carbide



Ø D	L	DX - RH	SX - LH
3*	57.5	FC.W.HP.57/3.D	FC.W.HP.57/3.S
4	57.5	FC.W.HP.57/4.D	FC.W.HP.57/4.S
5	57.5	FC.W.HP.57/5.D	FC.W.HP.57/5.S
6	57.5	FC.W.HP.57/6.D	FC.W.HP.57/6.S
8	57.5	FC.W.HP.57/8.D	FC.W.HP.57/8.S

\* 10X39mm



Ø D	L	DX - RH	SX - LH
3*	70	FC.W.HP.70/3.D	FC.W.HP.70/3.S
4	70	FC.W.HP.70/4.D	FC.W.HP.70/4.S
5	70	FC.W.HP.70/5.D	FC.W.HP.70/5.S
6	70	FC.W.HP.70/6.D	FC.W.HP.70/6.S
8	70	FC.W.HP.70/8.D	FC.W.HP.70/8.S

\* 10X39mm

## PUNTE COMPONENTI PER FORI CIECHI

HW Solid carbide drill bits

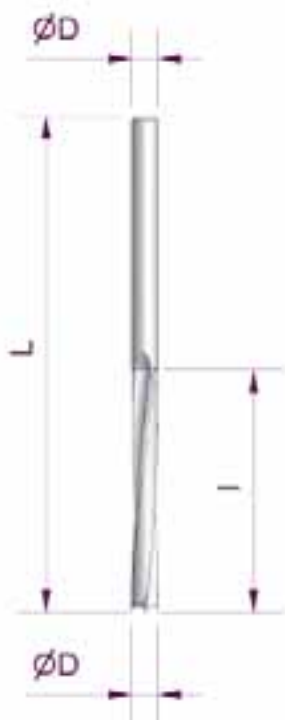
VHM Vollhartmetall Spiralbohrer

Broca MD integral

Сверла для глухих отверстий полностью из твердого сплава

# HW

solid carbide



Ø D	L	DX - RH	SX - LH
2	49	FC.W.49/2.D	FC.W.49/2.S
2.5	55	FC.W.55/25.D	FC.W.55/25.S
3	55	FC.W.55/3.D	FC.W.55/3.S
3.2	55	FC.W.55/32.D	FC.W.55/32.S
3.5	55	FC.W.55/35.D	FC.W.55/35.S
4	55	FC.W.55/4.D	FC.W.55/4.S
5	55	FC.W.55/5.D	FC.W.55/5.S

## PUNTE componibili per fori passanti

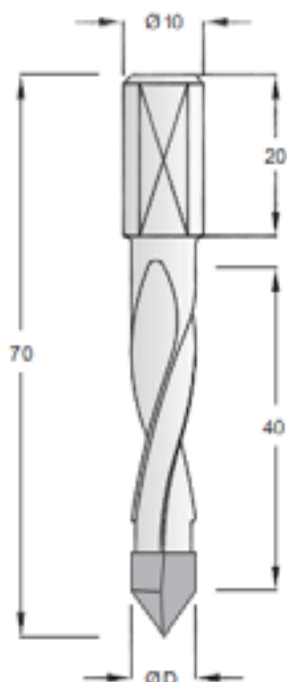
# HW

Through bore drill bits

Durchgangslochbohrer

Broca para agujero pasante

Сверла для сквозных отверстий с твердосплавной режущей частью



Ø D	L	DX - RH	SX - LH
5	70	FP.SB.I.70/5D	FP.SB.I.70/5S
6	70	FP.SB.I.70/6D	FP.SB.I.70/6S
6,35-I	70	FP.SB.I.70/635D	FP.SB.I.70/635S
7	70	FP.SB.I.70/7D	FP.SB.I.70/7S
8	70	FP.SB.I.70/8D	FP.SB.I.70/8S
9	70	FP.SB.I.70/9D	FP.SB.I.70/9S
10	70	FP.SB.I.70/10D	FP.SB.I.70/10S
11	70	FP.SB.I.70/11D	FP.SB.I.70/11S
12	70	FP.SB.I.70/12D	FP.SB.I.70/12S

# PUNTE COMPONENTI PER FORI PASSANTI

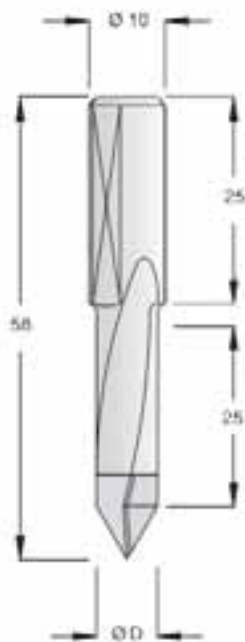
# HW

Through bore drill bits

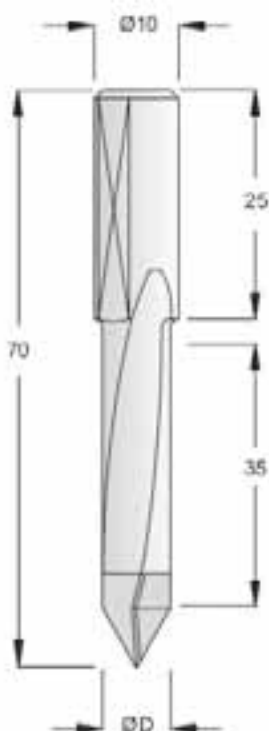
Durchgangslochbohrer

Broca para agujero pasante

Сверла для сквозных отверстий с твердосплавной режущей частью



Ø D	L	DX - RH	SX - LH
4	58	FP.SB.G.58/4D	FP.SB.G.58/4S
5	58	FP.SB.G.58/5D	FP.SB.G.58/5S
6	58	FP.SB.G.58/6D	FP.SB.G.58/6S
6,35-I	58	FP.SB.G.58/635D	FP.SB.G.58/635S
7	58	FP.SB.G.58/7D	FP.SB.G.58/7S
8	58	FP.SB.G.58/8D	FP.SB.G.58/8S
9	58	FP.SB.G.58/9D	FP.SB.G.58/9S
10	58	FP.SB.G.58/10D	FP.SB.G.58/10S
12	58	FP.SB.G.58/12D	FP.SB.G.58/12S



Ø D	L	DX - RH	SX - LH
4	70	FP.SB.G.70/4D	FP.SB.G.70/4S
5	70	FP.SB.G.70/5D	FP.SB.G.70/5S
5.5	70	FP.SB.G.70/55D	FP.SB.G.70/55S
6	70	FP.SB.G.70/6D	FP.SB.G.70/6S
6,35-I	70	FP.SB.G.70/635D	FP.SB.G.70/635S
7	70	FP.SB.G.70/7D	FP.SB.G.70/7S
8	70	FP.SB.G.70/8D	FP.SB.G.70/8S
9	70	FP.SB.G.70/9D	FP.SB.G.70/9S
9.5	70	FP.SB.G.70/95D	FP.SB.G.70/95S
10	70	FP.SB.G.70/10D	FP.SB.G.70/10S
11	70	FP.SB.G.70/11D	FP.SB.G.70/11S
12	70	FP.SB.G.70/12D	FP.SB.G.70/12S

## PUNTE SPECIALI PER FORI PASSANTI

Special through hole drill bits

Spezialdurchgangsbohrer

Broca para agujero pasante

Сверла специальные для сквозных отверстий с твердосплавной режущей частью

# HW



Ø D	L	DX - RH	SX - LH
5	70	FP.SB.HP.70/5D	FP.SB.HP.70/5S
6	70	FP.SB.HP.70/6D	FP.SB.HP.70/6S
8	70	FP.SB.HP.70/8D	FP.SB.HP.70/8S



Ø D	L	DX - RH	SX - LH
5	70	FP.W.70/5.D	FP.W.70/5.S
6	70	FP.W.70/6.D	FP.W.70/6.S
8	70	FP.W.70/8.D	FP.W.70/8.S

## PUNTE SPECIALI PER FORI PASSANTI HIGH PERFORMANCE

*HM Solid carbide special through hole drill bits*

*VHM Spezialdurchgangsbohrer*

*HW Integral broca para agujero pasante*

*Сверла специальные для сквозных отверстий полностью из твердого сплава повышенной износостойкости*

Ø D	L	DX - RH	SX - LH
5	70	FP.W.HP.70/5.D	FP.W.HP.70/5.S
6	70	FP.W.HP.70/6.D	FP.W.HP.70/6.S
8	70	FP.W.HP.70/8.D	FP.W.HP.70/8.S

## HW solid carbide



## PUNTE COMPONENTI PER FORI PASSANTI

*HW Solid carbide drill bits*

*VHM Vollhartmetall Spiralbohrer*

*Broca MD integral*

*Сверла для сквозных отверстий с твердосплавной режущей частью*

Ø D	L	DX - RH	SX - LH
2	49	FP.W.49/2.D	FP.W.49/2.S
2.5	55	FP.W.55/25.D	FP.W.55/25.S
3	55	FP.W.55/3.D	FP.W.55/3.S
3.2	55	FP.W.55/32.D	FP.W.55/32.S
3.5	55	FP.W.55/35.D	FP.W.55/35.S
4	55	FP.W.55/4.D	FP.W.55/4.S
5	55	FP.W.55/5.D	FP.W.55/5.S

## HW solid carbide



## PUNTE PER CERNIERA

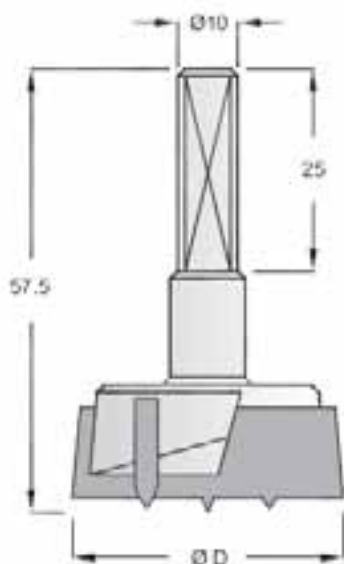
Hinge boring bit

Beschlagbohrer

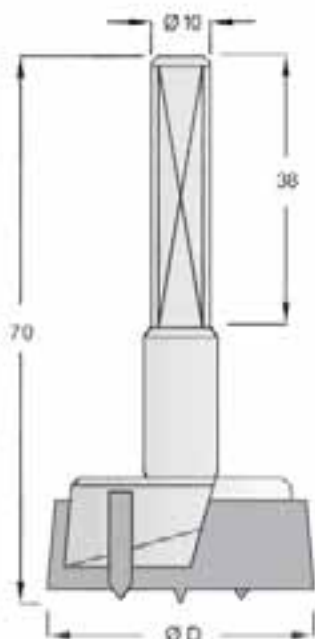
Broca para Herrerajes

Сверла чашечные с твердосплавной режущей частью

# HW



Ø D	L	DX - RH	SX - LH
15	57.5	PC.SB.57/15.D	PC.SB.57/15.S
16	57.5	PC.SB.57/16.D	PC.SB.57/16.S
18	57.5	PC.SB.57/18.D	PC.SB.57/18.S
20	57.5	PC.SB.57/20.D	PC.SB.57/20.S
22	57.5	PC.SB.57/22.D	PC.SB.57/22.S
24	57.5	PC.SB.57/24.D	PC.SB.57/24.S
25	57.5	PC.SB.57/25.D	PC.SB.57/25.S
26	57.5	PC.SB.57/26.D	PC.SB.57/26.S
28	57.5	PC.SB.57/28.D	PC.SB.57/28.S
30	57.5	PC.SB.57/30.D	PC.SB.57/30.S
32	57.5	PC.SB.57/32.D	PC.SB.57/32.S
34	57.5	PC.SB.57/34.D	PC.SB.57/34.S
35	57.5	PC.SB.57/35.D	PC.SB.57/35.S
36	57.5	PC.SB.57/36.D	PC.SB.57/36.S
38	57.5	PC.SB.57/38.D	PC.SB.57/38.S
40	57.5	PC.SB.57/40.D	PC.SB.57/40.S



Ø D	L	DX - RH	SX - LH
15	70	PC.SB.70/15.D	PC.SB.70/15.S
16	70	PC.SB.70/16.D	PC.SB.70/16.S
20	70	PC.SB.70/20.D	PC.SB.70/20.S
25	70	PC.SB.70/25.D	PC.SB.70/25.S
26	70	PC.SB.57/22.D	PC.SB.57/22.S
30	70	PC.SB.70/30.D	PC.SB.70/30.S
35	70	PC.SB.70/35.D	PC.SB.70/35.S



## PUNTE PER CERNIERA

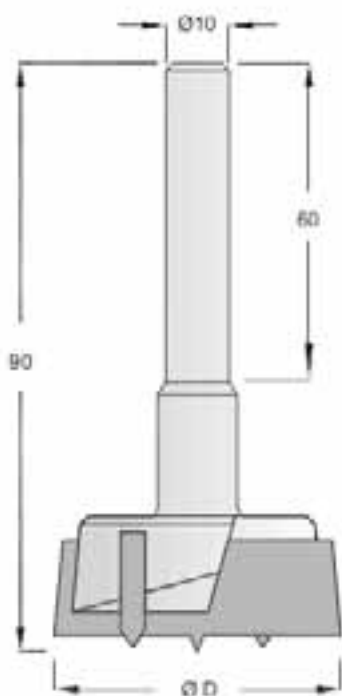
Hinge boring bit

Beschlagbohrer

Broca para Herrerajes

Сверла чашечные с твердосплавной режущей частью

## HW



Ø D	L	DX - RH	SX - LH
15	90	PC.M.90/15.D	PC.M.90/15.S
16	90	PC.M.90/16.D	PC.M.90/16.S
17	90	PC.M.90/17.D	PC.M.90/17.S
18	90	PC.M.90/18.D	PC.M.90/18.S
19	90	PC.M.90/19.D	PC.M.90/19.S
20	90	PC.M.90/20.D	PC.M.90/20.S
22	90	PC.M.90/22.D	PC.M.90/22.S
24	90	PC.M.90/24.D	PC.M.90/24.S
25	90	PC.M.90/25.D	PC.M.90/25.S
26	90	PC.M.90/26.D	PC.M.90/26.S
28	90	PC.M.90/28.D	PC.M.90/28.S
30	90	PC.M.90/30.D	PC.M.90/30.S
32	90	PC.M.90/32.D	PC.M.90/32.S
34	90	PC.M.90/34.D	PC.M.90/34.S
35	90	PC.M.90/35.D	PC.M.90/35.S
36	90	PC.M.90/36.D	PC.M.90/36.S
38	90	PC.M.90/38.D	PC.M.90/38.S
40	90	PC.M.90/40.D	PC.M.90/40.S
45	90	PC.M.90/45.D	PC.M.90/45.S
50	90	PC.M.90/50.D	PC.M.90/50.S
55	90	PC.M.90/55.D	PC.M.90/55.S
60	90	PC.M.90/60.D	PC.M.90/60.S

## PUNTE A GRADINO PER FORI CIECHI IN HW

Counterbore / countersink bit

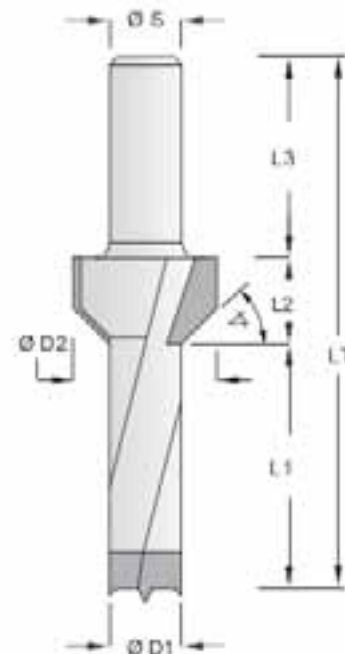
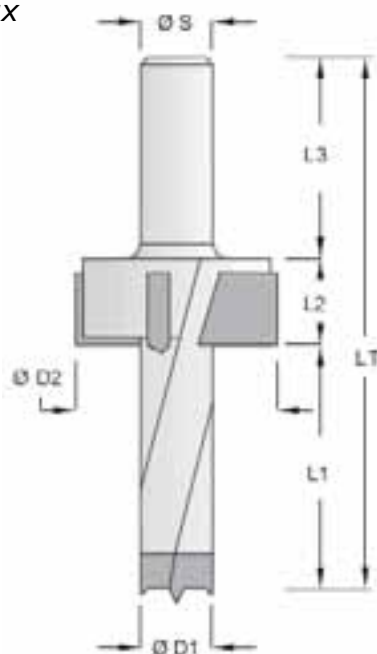
Stufenspiralbohrer

Broca escalonada

Сверла ступенчатые для глухих отверстий с твердосплавной режущей частью

# HW

misure a richiesta



## PUNTE A GRADINO PER FORI PASSANTI

Counterbore / countersink bit

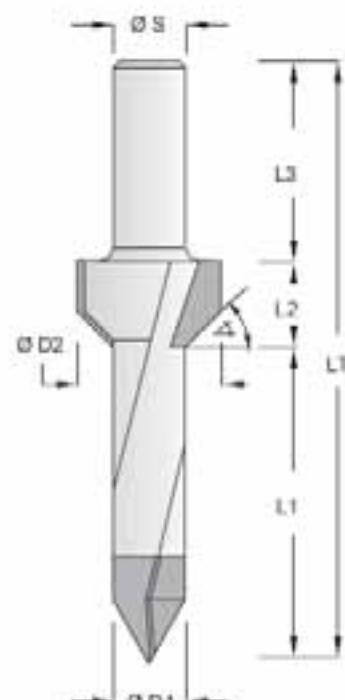
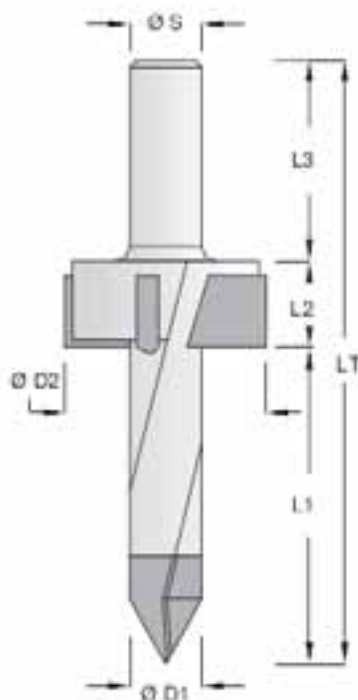
Stufenspiralbohrer

Broca escalonada

Сверла ступенчатые для сквозных отверстий с твердосплавной режущей частью

# HW

misure a richiesta



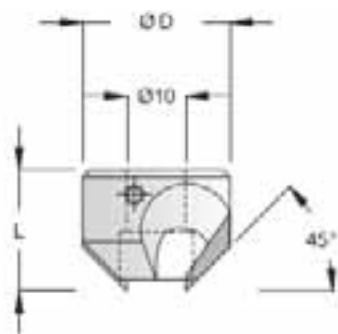
## SVASATORI STANDARD PER PUNTA COMPONENTE IN HW

HW Countersink for drill bits

HW Aufstecksenker für Dübelbohrer

HW Avellanador

HW Насадной зенкер с твердосплавной режущей частью для сверла



Ø d	Ø D	L	DX - RH	SX - LH
4	14	12	SV.S.12/14/4.D	SV.S.12/14/4.S
5	14	12	SV.S.12/14/5.D	SV.S.12/14/5.S
6	16	14	SV.S.14/16/6.D	SV.S.14/16/6.S
6,35-I	16	14	SV.S.14/16/635.D	SV.S.14/16/635.S
7	16	14	SV.S.14/16/7.D	SV.S.14/16/7.S
8	16	16	SV.S.16/16/8.D	SV.S.16/16/8.S
9	18	16	SV.S.16/18/9.D	SV.S.16/18/9.S
9,5-I	20	16	SV.S.16/20/95.D	SV.S.16/20/95.S
10	20	18	SV.S.18/20/10.D	SV.S.18/20/10.S
11	20	18	SV.S.18/20/11.D	SV.S.18/20/11.S
12	20	18	SV.S.18/20/12.D	SV.S.18/20/12.S

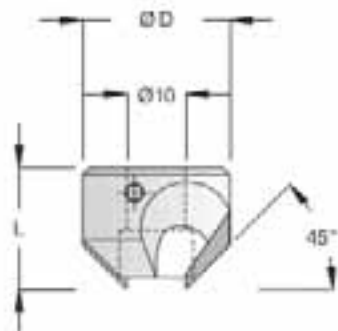
## SVASATORI SPECIALI PER PUNTA COMPONENTE IN HW

HW Special Countersink for drill bits

HW Spezial Aufstecksenker für Dübelbohrer

HW Avellanador especial

HW Насадной зенкер с твердосплавной режущей частью для сверла



Ø d	Ø D	L	DX - RH	SX - LH
4 - 10	20	15	SV.SP.15/20.D	SV.SP.15/20.S
11 - 12	22	16	SV.SP.16/22.D	SV.SP.16/22.S

## FRESE ELICOIDALI POSITIVE

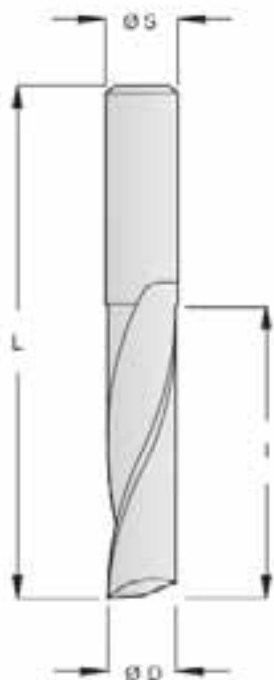
HW Solid carbide spiral router bit

VHM Vollhartmetallfräser

HW Fresas helicoidales integral

Фрезы твердосплавные со спиральной режущей кромкой позитивные

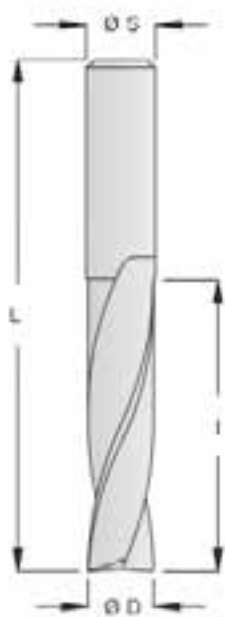
## HW solid carbide



**Z = 1**

Ø D	L	I	POS.
3	50	12	FE1.3-50/12.P
4	50	12	FE1.4-50/12.P
5	50	17	FE1.5-50/17.P
6	60	17	FE1.6-60/17.P
6	60	27	FE1.6-60/27.P
8	80	22	FE1.8-80/22.P
8	80	32	FE1.8/80/32.P
10	80	32	FE110-80/32.P
10	100	42	FE1.10-100/42.P
12	80	32	FE1.12-80/32.P
12	100	42	FE1.12-100/42.P
12	100	52	FE1.12-100/52.P

**Z = 2**



Ø D	L	I	POS.
3	50	12	FE2.3-50/12.P
4	50	12	FE2.4-50/12.P
5	50	17	FE2.5-50/17.P
6	60	17	FE2.6-60/17.P
6	60	27	FE2.6-60/27.P
8	80	22	FE2.8-80/22.P
8	80	32	FE2.8-80/32.P
10	80	32	FE2.10-80/32.P
10	100	42	FE2.10-100/42.P
12	80	32	FE2.12-80/32.P
12	100	42	FE2.12-100/42.P
12	100	52	FE2.12-100/52.P
14	100	42	FE2.14-100/42.P
14	100	52	FE2.14-100/52.P
16	100	42	FE2.16-100/42.P
16	100	52	FE2.16-100/52.P
16	120	72	FE2.16-120/72.P
18	100	52	FE2.18-100/52.P
18	120	72	FE2.18-120/72.P
18	150	102	FE2.18-150/102.P
20	100	52	FE2.20-100/52.P
20	120	72	FE2.20-120/72.P
20	150	102	FE2.20-150/102.P

## FRESE ELICOIDALI POSITIVE

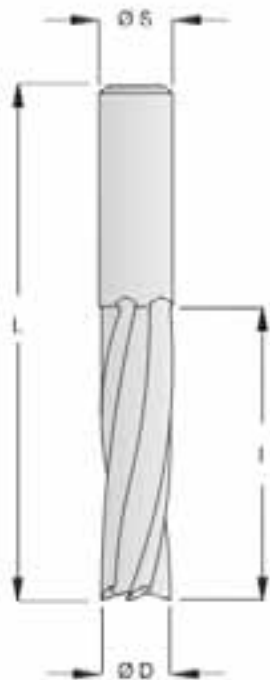
HW Solid carbide spiral router bit

VHM Vollhartmetallfräser

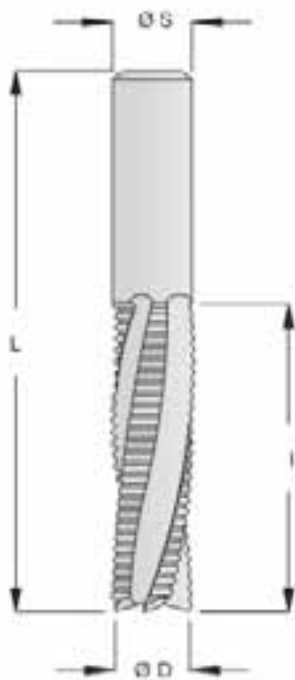
HW Fresas helicoidales integral

Фрезы твердосплавные со спиральной режущей кромкой позитивные

**Z = 3**



**Z = 3**



## HW solid carbide

Ø D	L	I	POS.
8	80	22	FE3.8-80/22.P
8	80	32	FE3.8-80/32.P
10	80	32	FE3.10-80/22.P
10	100	42	FE3.10-100/42.P
12	80	32	FE3.12-80/32.P
12	100	42	FE3.12-100/42.P
12	100	52	FE3.12-100/52.P
14	100	42	FE3.14-100/42.P
14	100	52	FE3.14-100/52.P
16	100	42	FE3.16-100/42.P
16	100	52	FE3.16-100/52.P
16	120	72	FE3.16-120/72.P
18	100	52	FE3.18-100/52.P
18	120	72	FE3.18-120/72.P
18	150	102	FE3.18-150/102.P
20	100	52	FE3.20-100/52.P
20	120	72	FE3.20-120/72.P
20	150	102	FE3.20-150/102.P
25	150	102	FE3.25-150/102.P

Ø D	L	I	POS.
8	80	22	FE3R.8-80/22.P
8	80	32	FE3R.8-80/32.P
10	80	32	FE3R.10-80/32.P
10	100	42	FE3R.10-100/42.P
12	80	32	FE3R.12-80/32.P
12	100	42	FE3R.12-100/42.P
12	100	52	FE3R.12-100/52.P
14	100	42	FE3R.14-100/42.P
14	100	52	FE3R.14-100/52.P
16	100	42	FE3R.16-100/42.P
16	100	52	FE3R.16-100/52.P
16	120	72	FE3R.16-120/72.P
18	100	52	FE3R.18-100/52.P
18	120	72	FE3R.18-120/72.P
18	150	102	FE3R.18-150/102.P
20	100	52	FE3R.20-100/52.P
20	120	72	FE3R.20-120/72.P
20	150	102	FE3R.20-150/102.P
25	150	102	FE3R.25-150/102.P

## FRESE ELICOIDALI NEGATIVE

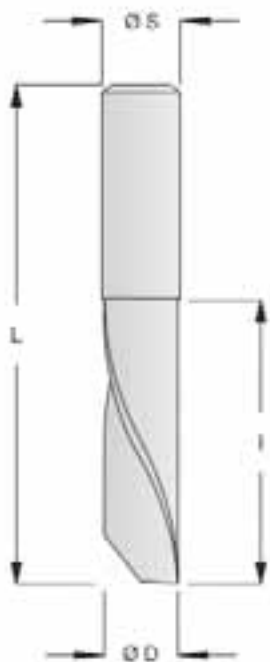
HW Solid carbide spiral router bit

VHM Vollhartmetallfräser

HW Fresas helicoidales integral

Фрезы твердосплавные со спиральной режущей кромкой негативные

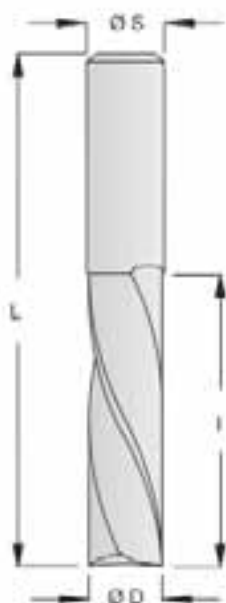
## HW solid carbide



**Z = 1**

Ø D	L	I	Codice
3	50	12	FE1.3-50/12.N
4	50	12	FE1.4-50/12.N
5	50	17	FE1.5-50/17.N
6	60	17	FE1.6-60/17.N
6	60	27	FE1.6-60/27.N
8	80	22	FE1.8-80/22.N
8	80	32	FE1.8/80/32.N
10	80	32	FE1.10-80/32.N
10	100	42	FE1.10-100/42.N
12	80	32	FE1.12-80/32.N
12	100	42	FE1.12-100/42.N
12	100	52	FE1.12-100/52.N

**Z = 2**



Ø D	L	I	Codice
3	50	12	FE2.3-50/12.N
4	50	12	FE2.4-50/12.N
5	50	17	FE2.5-50/17.N
6	60	17	FE2.6-60/17.N
6	60	27	FE2.6-60/27.N
8	80	22	FE2.8-80/22.N
8	80	32	FE2.8-80/32.N
10	80	32	FE2.10-80/32.N
10	100	42	FE2.10-100/42.N
12	80	32	FE2.12-80/32.N
12	100	42	FE2.12-100/42.N
12	100	52	FE2.12-100/52.N
14	100	42	FE2.14-100/42.N
14	100	52	FE2.14-100/52.N
16	100	42	FE2.16-100/42.N
16	100	52	FE2.16-100/52.N
16	120	72	FE2.16-120/72.N
18	100	52	FE2.18-100/52.N
18	120	72	FE2.18-120/72.N
18	150	102	FE2.18-150/102.N
20	100	52	FE2.20-100/52.N
20	120	72	FE2.20-120/72.N
20	150	102	FE2.20-150/102.N

## FRESE ELICOIDALI NEGATIVE

HW Solid carbide spiral router bit

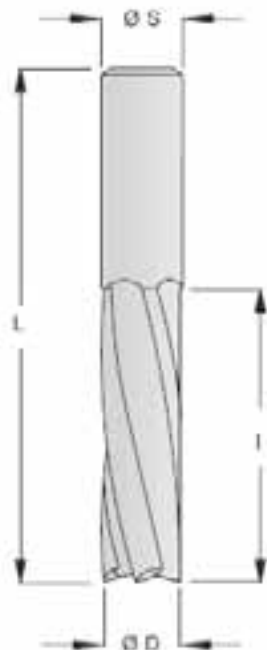
VHM Vollhartmetallfräser

HW Fresas helicoidales integral

Фрезы твердосплавные со спиральной режущей кромкой негативные

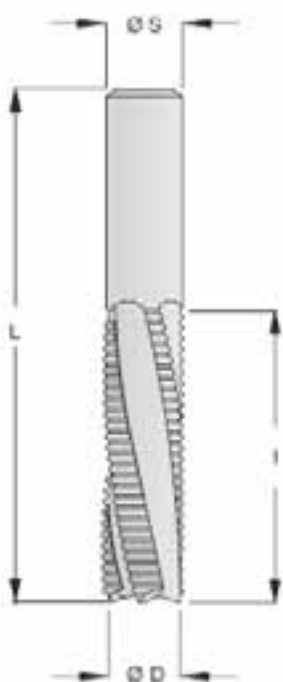
## HW solid carbide

**Z = 3**



Ø D	L	I	NEG.
8	80	22	FE3.8-80/22.N
8	80	32	FE3.8-80/32.N
10	80	32	FE3.10-80/22.N
10	100	42	FE3.10-100/42.N
12	80	32	FE3.12-80/32.N
12	100	42	FE3.12-100/42.N
12	100	52	FE3.12-100/52.N
14	100	42	FE3.14-100/42.N
14	100	52	FE3.14-100/52.N
16	100	42	FE3.16-100/42.N
16	100	52	FE3.16-100/52.N
16	120	72	FE3.16-120/72.N
18	100	52	FE3.18-100/52.N
18	120	72	FE3.18-120/72.N
18	150	102	FE3.18-150/102.N
20	100	52	FE3.20-100/52.N
20	120	72	FE3.20-120/72.N
20	150	102	FE3.20-150/102.N
25	150	102	FE3.25-150/102.N

**Z = 3**



Ø D	L	I	NEG.
8	80	22	FE3R.8-80/22.N
8	80	32	FE3R.8-80/32.N
10	80	32	FE3R.10-80/32.N
10	100	42	FE3R.10-100/42.N
12	80	32	FE3R.12-80/32.N
12	100	42	FE3R.12-100/42.N
12	100	52	FE3R.12-100/52.N
14	100	42	FE3R.14-100/42.N
14	100	52	FE3R.14-100/52.N
16	100	42	FE3R.16-100/42.N
16	100	52	FE3R.16-100/52.N
16	120	72	FE3R.16-120/72.N
18	100	52	FE3R.18-100/52.N
18	120	72	FE3R.18-120/72.N
18	150	102	FE3R.18-150/102.N
20	100	52	FE3R.20-100/52.N
20	120	72	FE3R.20-120/72.N
20	150	102	FE3R.20-150/102.N
25	150	102	FE3R.25-150/102.N

## FRESE ELICOIDALI P/N

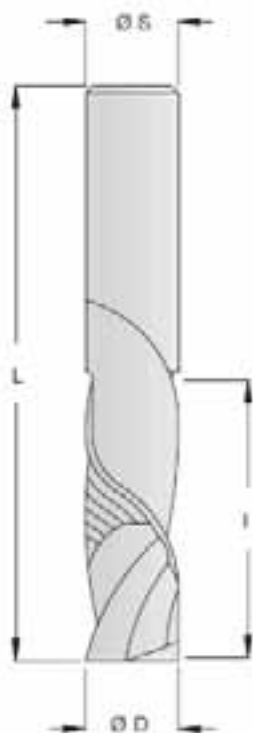
HW Solid carbide spiral router bit

VHM Vollhartmetallfräser

HW Fresas helicoidales integral

Фрезы твердосплавные со спиральной режущей кромкой негативные

## HW solid carbide



Ø D	L	I	POS/NEG
8	80	22	FE.8-80/22-P/N
8	80	32	FE.8-80/32-P/N
10	80	32	FE.10-80/32-P/N
10	100	42	FE.10-100/42-P/N
12	100	42	FE.12-100/42-P/N
12	100	52	FE.12-100/52-P/N
14	100	42	FE.14-100/42-P/N
14	100	52	FE.14-100/52-P/N
16	100	42	FE.16-100/42-P/N
16	100	52	FE.16-100/52-P/N
18	100	52	FE.18-100/52-P/N
18	120	72	FE.18-120/72-P/N
20	100	52	FE.20-100/52-P/N
20	120	72	FE.20-120/72-P/N





## FRESE A TAGLIANTI DIRITTI

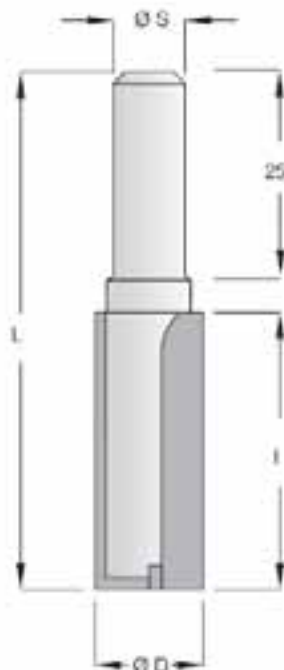
Straight router bit

Nutfräser

Fresa de pantografo

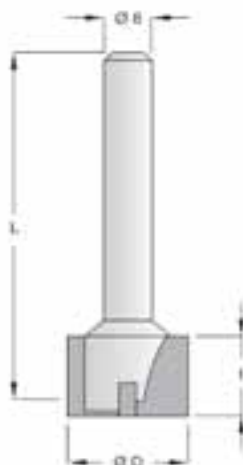
Фрезы пазовые с твердосплавной режущей частью

## HW



Ø D	L	I	Ø S	
8	58	25	9.5	FTD.8-58/25
8	63	30	9.5	FTD.8-63/30
10	58	25	9.5	FTD.10-58/25
10	63	30	9.5	FTD.10-63/30
10	68	35	9.5	FTD.10-68/35
10	73	40	9.5	FTD.10-73/40
12	58	25	12	FTD.12-58/25
12	73	40	12	FTD.12-73/40
14	58	25	12	FTD.14-58/25
14	73	40	12	FTD.14-73/40
15	58	25	12	FTD.15-58/25
15	73	40	12	FTD.15-73/40
16	58	25	12	FTD.16-58/25
16	73	40	12	FTD.16-73/40
18	58	25	12	FTD.18-58/25
18	73	40	12	FTD.18-73/40
20	58	25	12	FTD.20-58/25
20	73	40	12	FTD.20-73/40
22	58	25	12	FTD.22-58/25
22	73	40	12	FTD.22-73/40
24	58	25	12	FTD.24-58/25
24	73	40	12	FTD.24-73/40
25	58	25	12	FTD.25-58/25
25	73	40	12	FTD.25-73/40
26	58	25	12	FTD.26-58/25
26	73	40	12	FTD.26-73/40
28	58	25	12	FTD.28-58/25
28	73	40	12	FTD.28-73/40
30	58	25	12	FTD.30-58/25
30	73	40	12	FTD.30-73/40
35	58	25	12	FTD.35-58/25
35	73	40	12	FTD.35-73/40

Ø D	L	I	Ø S	
8	58	25	9.5	FTD.8-58/25
8	63	30	9.5	FTD.8-63/30
10	58	25	9.5	FTD.10-58/25
10	63	30	9.5	FTD.10-63/30
10	68	35	9.5	FTD.10-68/35
10	73	40	9.5	FTD.10-73/40
12	58	25	12	FTD.12-58/25
12	73	40	12	FTD.12-73/40
14	58	25	12	FTD.14-58/25
14	73	40	12	FTD.14-73/40
15	58	25	12	FTD.15-58/25
15	73	40	12	FTD.15-73/40
16	58	25	12	FTD.16-58/25
16	73	40	12	FTD.16-73/40
18	58	25	12	FTD.18-58/25
18	73	40	12	FTD.18-73/40



## FRESE A RAGGIO CONVESSO

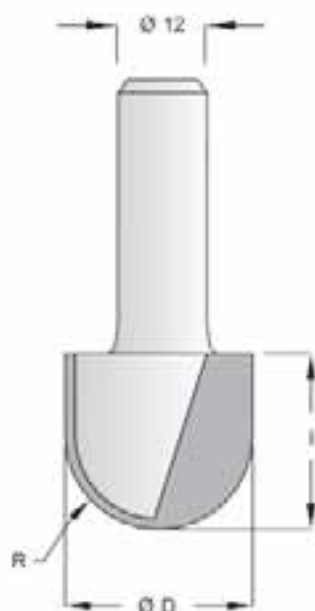
Cove router bit

Rohrkehlfräser

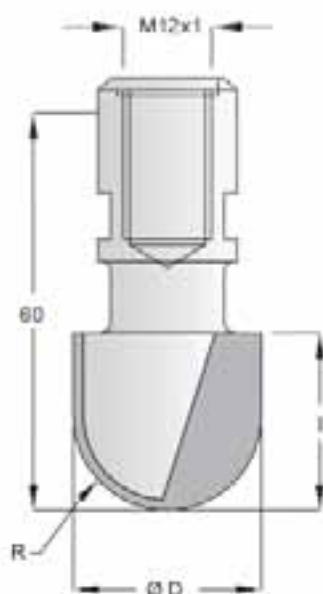
Fresas de perfil para fresadora

Фрезы радиусные галтель с твердосплавной режущей частью

# HW



Ø D	I	R	
16	18	8	FRCV.16-18/8
20	18	10	FRCV.20-18/10
24	18	12	FRCV.24-18/12
30	18	15	FRCV.30-18/15



Ø D	I	R	
16	18	8	FRCV.16-18/8.M12
20	18	10	FRCV.20-18/10.M12
24	18	12	FRCV.24-18/12.M12
30	18	15	FRCV.30-18/15.M12

## FRESE A RAGGIO CONCAVO

## HW

Roundover bit

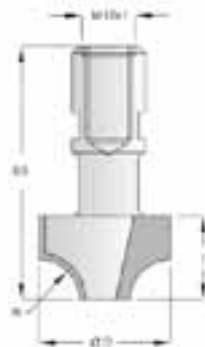
Radius-Fräser

Fresas de perfil para fresadora

Фрезы радиусные полуштап с твердосплавной режущей частью



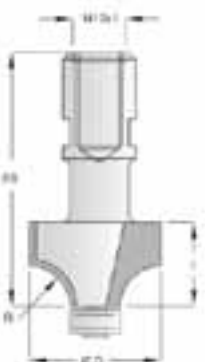
Ø D	I	R	
28	13	8	FRC.28-13/8
32	15	10	FRC.32-15/10
37	18	12	FRC.37-18/12
42	21	15	FRC.42-21/15
52	25	20	FRC.52-25/20



Ø D	I	R	
28	13	8	FRC.28-13/8.M12
32	15	10	FRC.32-15/10.M12
37	18	12	FRC.37-18/12.M12
42	21	15	FRC.42-21/15.M12
52	25	20	FRC.52-25/20.M12



Ø D	I	R	
29	13	8	FRC.CG.29-13/8
33	15	10	FRC.CG.33-15/10
37	17	12	FRC.CG.37-17/12
43	20	15	FRC.CG.43-20/15
53	25	20	FRC.CG.53-25/20



Ø D	I	R	
29	13	8	FRC.CG.29-13/8.M12
33	15	10	FRC.CG.33-15/10.M12
37	17	12	FRC.CG.37-17/12.M12
43	20	15	FRC.CG.43-20/15.M12
53	25	20	FRC.CG.53-25/20.M12

## FRESE A MEZZO TONDO

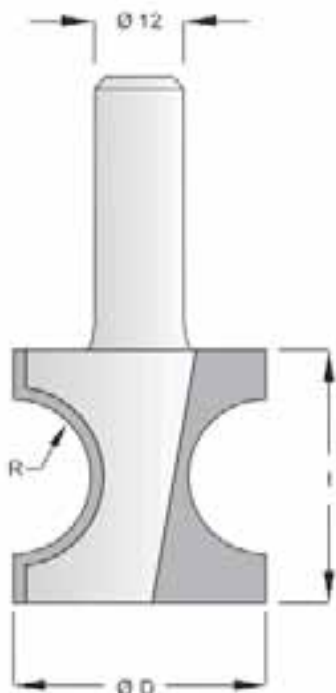
Cove router bit

Rohrkehlfraäser

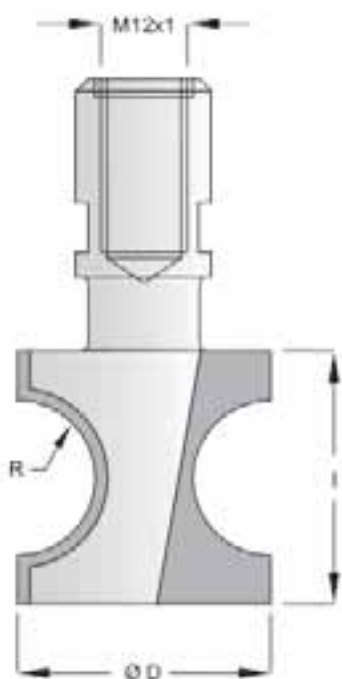
Fresas de perfil para fresadora

Фрезы радиусные штап с с твердосплавной режущей частью

# HW



Ø D	I	R	
25	30	6	FMT.25-30/6
30	35	8	FMT.30-35/8
35	40	10	FMT.35-40/10
40	45	12	FMT.40-45/12
45	50	15	FMT.45-50/15



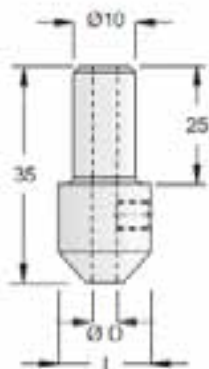
Ø D	I	R	
25	30	6	FMT.25-30/6.M12
30	35	8	FMT.30-35/8.M12
35	40	10	FMT.35-40/10.M12
40	45	12	FMT.40-45/12.M12
45	50	15	FMT.45-50/15.M12

## BUSSOLE E RIDUZIONI PER PUNTE INTEGRALI

Brushing and chucks for jobber drills

Aufnahmen für spiralbohrer

Portabrocas



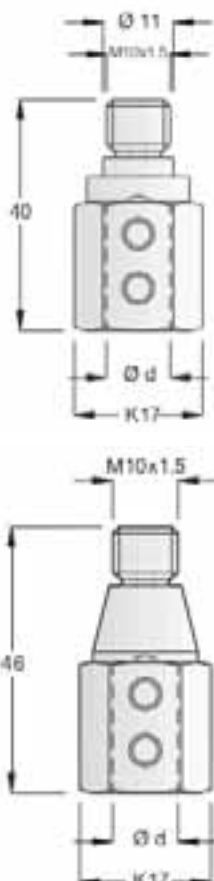
Ø D	
2	B35/2
2.5	B35/25
3	B35/3
3.2	B35/32
3.5	B35/35
4	B35/4
5	B35/5

## MANDRINI PER PUNTE COMPONIBILI

Drill Holder

Spannfutter

Portabrocas



Ø D	
8	M40/8
10	M40/10

Ø D	
8	M46/8
10	M46/10

## LAME PER SEGHE A NASTRO

*Bandsaw blades*

*Bandsägeblätter*

*Cuchillas para sierra de cinta*

*Ленточные пилы*



H (mm)	0.5	0.6	0.7	0.8	0.9	1.00
10		1006				
12		1206				
15	1505	1506	1507			
20	2005	2006	2007			
25	2505	2506	2507	2508		
30		3006	3007	3008		
35			3507	3508	3509	3510
40			4007	4008	4009	4010
45				4508	4509	4510
50				5008	5009	5010

## LAME PER SEGHE A NASTRO STRADATE E AFFILATE

*Bandsaw blades setted and sharpened*

*Badnsägeblätter Standardschränkung*

*Cuchillas para sierra de cinta*

*Ленточные пилы*

H (mm)	0.5	0.6	0.7	0.8	0.9	1.00
10		1006S				
12		1206S				
15	1505S	1506S	1507S			
20	2005S	2006S	2007S			
25	2505S	2506S	2507S	2508S		
30		3006S	3007S	3008S		
35			3507S	3508S	3509S	3510S
40			4007S	4008S	4009S	4010S
45				4508S	4509S	4510S
50				5008S	5009S	5010S

## LAME CIRCOLARI

Circular saw blades

Kreissägeblatt

Hoja de sierra

Дисковые пилы

Per poter garantire la migliore qualità di taglio, è necessario scegliere la lame più idonea al lavoro da eseguire. Effettuare i dovuti controlli su albero e flange di montaggio e verificare la giusta velocità di rotazione oltre che al perfetto bloccaggio della lama stessa.

Si consiglia che lavorino almeno 2 taglienti contemporaneamente, per poter ottenere una buona qualità di taglio.

*To guarantee the best cutting quality, it's necessary to choose the more suitable saw blade for the job you've do. Carry out any checks in the tree and in the flanges and verify the correct relation speedy. Blade must be perfectly blocked.*

*To obtain a good quality cutting, at least 2 teeth must work at the same time.*

*Um die bestmögliche Schnittgüte zu erreichen ist es notwendig das richtige Messer für die zu verrichtende Arbeit auszusuchen. Die notwendigen Kontrollen an der Welle und dem Flansch vornehmen. Die Drehgeschwindigkeit prüfen und die richtige Fixierung des Messers sicherstellen. Es wird empfohlen dass mindestens 2 Schneiden gleichzeitig arbeiten um eine gute Schnittqualität zu erreichen.*

Para poder garantizar la mejor calidad de corte, es necesario elegir la hoja más idónea al trabajo que ejecutar. Efectuar los debidos controles sobre árbol y arandelas de montaje y averiguar la justa velocidad de rotación más allá de que al perfecto bloqueo de la hoja misma.

Se aconseja que trabajen al mismo tiempo al menos 2 filos en el mismo tiempo, para poder conseguir una buena calidad de corte

*Для гарантии лучшего качества разреза, необходимо выбрать пилу подходящую для конкретного вида работы. Осуществить контроль пилы на валу и фланце, убедиться в правильной скорости вращения, а также в том что пила хорошо зафиксирована.*

*Для получения хорошего качества резания, необходимо что бы, как минимум, два зуба пилы работали одновременно.*

## FORI DI TRASCINAMENTO

Pin holes

Nebenlöcher

Agujero

ОТВЕРСТИЯ ПОД ШТИФТ

<b>Cod</b>	<b>Misura</b>	<b>Riferimento macchina</b>
<b>Code</b>	<b>Dimension</b>	<b>Machines</b>
FT 3	2/7/42 + 2/9,5/46,5 + 2/10/60	Universale - Universal
FT 4	2/14/110 + 2/7/110 + 4/9/100 + 4/19/120 + 2/9/130	Gabbiani-SCM-Selco
FT 5	4/15/105 + 3/7/100	Giben - Homag - Macmazza

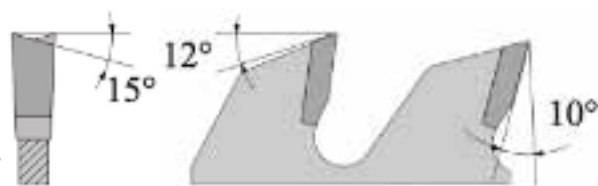
## LAMA CIRCOLARE UNIVERSALE PER LEGNO

Universal circular saw blade for wood

Universal Kreissägeblatt

Hoja de sierra para empleo universal

Универсальные дисковые пилы для деревообработки



Codice	D	B/b	d	FT	Z	
LCU10032/2220.20	100	3,2/2,2	20		20	
LCU12032/2220.20	120	3,2/2,2	20		20	
LCU12032/2230.30	120	3,2/2,2	30		30	
LCU12532/2220.24	125	3,2/2,2	20		24	
LCU12532/2230.30	125	3,2/2,2	30		30	
LCU14032/2230.24	140	3,2/2,2	30		24	
LCU15032/2230.24	150	3,2/2,2	30		24	
LCU15032/2230.36	150	3,2/2,2	30		36	
LCU16032/2230.24	160	3,2/2,2	30		24	
LCU18032/2230.30	180	3,2/2,2	30		30	
LCU18032/2230.48	180	3,2/2,2	30		48	
LCU20032/2230.34	200	3,2/2,2	30		34	
LCU20032/2230.48	200	3,2/2,2	30		48	
LCU22032/2230.34	220	3,2/2,2	30		34	
LCU22032/2230.48	220	3,2/2,2	30		48	
LCU22532/2230.36	225	3,2/2,2	30		36	
LCU25032/2230.40	250	3,2/2,2	30	FT2	40	<b>S</b>
LCU25032/2230.60	250	3,2/2,2	30	FT3	60	<b>S</b>
LCU27532/2230.44	275	3,2/2,2	30	FT3	44	
LCU28032/2230.48	280	3,2/2,2	30	FT3	48	
LCU30032/2230.48	300	3,2/2,2	30	FT3	48	<b>S</b>
LCU30032/2230.72	300	3,2/2,2	30	FT3	72	
LCU33032/2230.52	330	3,2/2,2	30	FT3	52	
LCU33032/2230.72	330	3,2/2,2	30	FT3	72	
LCU35035/2530.54	350	3,5/2,5	30	FT3	54	<b>S</b>
LCU35035/2530.84	350	3,5/2,5	30	FT3	84	
LCU40040/2830.60	400	4,0/2,8	30	FT3	60	
LCU40040/2830.96	400	4,0/2,8	30	FT3	96	
LCU45042/2830.66	450	4,2/2,8	30	2-10-60	66	
LCU45042/2835.66	450	4,2/2,8	35		66	
LCU45042/2830.72	450	4,2/2,8	30	2-10-60	72	
LCU45042/2835.72	450	4,2/2,8	35		72	
LCU45042/2830.108	450	4,2/2,8	30	2-10-60	108	
LCU45042/2835.108	450	4,2/2,8	35		108	
LCU50042/2830.72	500	4,2/2,8	30	2-10-60	72	
LCU50042/2835.72	500	4,2/2,8	35		72	
LCU50042/3030.120	500	4,2/3,0	30	2-10-60	120	
LCU50042/3035.120	500	4,2/2,8	35		120	
LCU55052/3630.80	550	5,2/3,6	30	2-10-60	80	
LCU55052/3635.80	550	5,2/3,6	35		80	
LCU60052/3630.80	600	5,2/3,6	30	2-10-60	80	
LCU60052/3635.80	600	5,2/3,6	35		80	
LCU65062/4035.84	650	6,2/4,0	35		84	
LCU70062/4040.84	700	6,2/4,0	40		84	
LCU70062/4080.84	700	6,2/4,0	80		84	

Misure speciali su richiesta - Special sizes on request - Sonderabmessungen auf Anfrage - medidas especiales sobre pedido - Специальные размеры под заказ



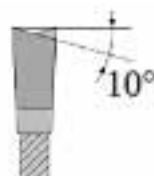
## LAMA CIRCOLARE UNIVERSALE PER TAGLIO LONGITUDINALE

Universal circular saw blade for lengthwise cutting

Universal Kreissägeblatt

Hoja de sierra para empleo cortes longitudinales

Универсальные дисковые пилы для деревообработки  
для продольной распиловки



Codice	D	B/b	d	FT	Z	
LCUTL20032/2230.16	200	3,2/2,2	30		16	
LCUTL25032/2230.20	250	3,2/2,2	30	FT3	20	S
LCUTL27532/2230.20	275	3,2/2,2	30	FT3	20	
LCUTL30032/2230.24	300	3,2/2,2	30	FT3	24	S
LCUTL35035/2530.28	350	3,5/2,5	30	FT3	28	S
LCUTL40040/2830.32	400	4,0/2,8	30	FT3	32	S
LCUTL45042/2830.36	450	4,2/2,8	30	2-10-60	36	
LCUTL45042/2835.36	450	4,2/2,8	35		36	
LCUTL50042/2830.40	500	4,2/2,8	30	2-10-60	40	
LCUTL50042/2835.40	500	4,2/2,8	35		40	
LCUTL55052/3630.44	550	5,2/3,6	30	2-10-60	44	
LCUTL55052/3635.44	550	5,2/3,6	35		44	
LCUTL60052/3630.48	600	5,2/3,6	30	2-10-60	48	
LCUTL60052/3635.48	600	5,2/3,6	35		48	
LCUTL65062/4035.48	650	6,2/4,0	35		48	
LCUTL70062/4030.48	700	6,2/4,0	30	2-10-60	48	
LCUTL70062/4040.48	700	6,2/4,0	40		48	

## LAMA CIRCOLARE UNIVERSALE PER TAGLIO TRASVERSALE

Universal circular saw blade for trasversal cutting

Universal Kreissägeblatt

Hoja de sierra para cortes trasversales

Универсальные дисковые пилы для деревообработки  
для поперечной распиловки



Codice	D	B/b	d	FT	Z
LCUTT15032/2230.18	150	3,2/2,2	30		18
LCUTT18032/2230.24	180	3,2/2,2	30		24
LCUTT20032/2230.24	200	3,2/2,2	30		24
LCUTT21032/2230.24	210	3,2/2,2	30		24
LCUTT22032/2230.24	220	3,2/2,2	30		24
LCUTT25032/2230.30	250	3,2/2,2	30	FT3	30
LCUTT27532/2230.32	275	3,2/2,2	30	FT3	32
LCUTT30032/2230.36	300	3,2/2,2	30	FT3	36
LCUTT33030/2230.40	330	3,2/2,2	30	FT3	40
LCUTT35035/2530.42	350	3,5/2,5	30	FT3	42
LCUTT40040/2830.48	400	4,0/2,8	30	FT3	48
LCUTT45042/2830.54	450	4,2/2,8	30	2-10-60	54
LCUTT45042/2835.54	450	4,2/2,8	35		54
LCUTT50042/2830,60	500	4,2/2,8	30	2-10-60	60
LCUTT50042/2835.60	500	4,2/2,8	35		60
LCUTT55052/3630.60	550	5,2/3,6	30	2-10-60	60
LCUTT55052/3635.60	550	5,2/3,6	35		60
LCUTT60052/3630.60	600	5,2/3,6	30	2-10-60	60
LCUTT60052/3635.60	600	5,2/3,6	35		60
LCUTT65062/4035.64	650	6,2/4,0	35		64
LCUTT70062/4030.64	700	6,2/4,0	30	2-10-60	64
LCUTT70062/4040.64	700	6,2/4,0	40		64

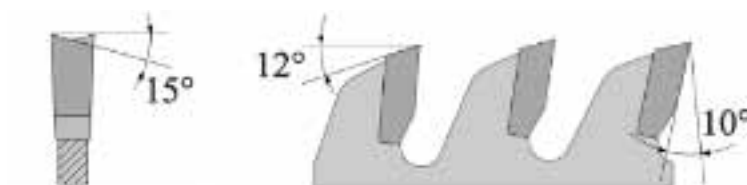
## LAMA CIRCOLARE UNIVERSALE HIGH PERFORMANCE

*Universal circular saw blade high performance*

*Universal Kreissägeblatt high performance*

*Hoja de sierra delgada de alto rendimiento*

*Универсальные дисковые пилы для деревообработки высокого качества*



Codice	D	B/b	d	FT	Z	
LCUHP10032/2230.30	100	3,2/2,2	30		30	
LCUHP12032/2230.36	120	3,2/2,2	30		36	
LCUHP12532/2230.40	125	3,2/2,2	30		40	
LCUHP15032/2230.48	150	3,2/2,2	30		48	
LCUHP16032/2230.48	160	3,2/2,2	30		48	
LCUHP18032/2230.56	180	3,2/2,2	30		56	
LCUHP20032/2230.64	200	3,2/2,2	30		64	
LCUHP22032/2230.64	220	3,2/2,2	30	FT3	64	
LCUHP22532/2230.72	225	3,2/2,2	30		72	
LCUHP25032/2230.80	250	3,2/2,2	30	FT3	80	<b>S</b>
LCUHP27532/2230.88	275	3,2/2,2	30	FT3	88	
LCUHP30032/2230.96	300	3,2/2,2	30	FT3	96	<b>S</b>
LCUHP32032/2230.96	320	3,2/2,2	30	FT3	96	
LCUHP33032/2220.96	330	3,2/2,2	20		96	
LCUHP33032/2230.96	330	3,2/2,2	30	FT3	96	
LCUHP35035/2530.108	350	3,5/2,5	30	FT3	108	<b>S</b>
LCUHP40040/2830.120	400	4,0/2,8	30	FT3	120	
LCUHP45042/3030.132	450	4,2/3,0	30	2-10-60	132	
LCUHP45042/3035.132	450	3,2/2,2	35		132	
LCUHP50042/3030.144	500	4,2/3,0	30	2-10-60	144	
LCUHP50042/3035.144	500	4,2/3,0	35		144	

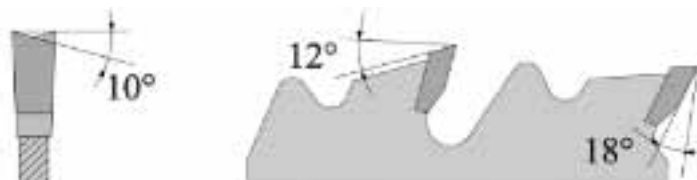
## LAMA CIRCOLARE CON LIMITATORE DI TRUCIOLO

Circular saw blade with chip-limitator

Sägeblätter Wechselzahn

Hoja de sierra para cortes longitudinales con limitador de espesor de viruta

Дисковые пилы с ограничением подачи



Codice	D	B/b	d	FT	Z	
LCULT25032/2230.24	250	3,2/2,2	30	FT3	24	<b>S</b>
LCULT30032/2230.28	300	3,2/2,2	30	FT3	28	<b>S</b>
LCULT35035/2530.32	350	3,5/2,5	30	FT3	32	<b>S</b>
LCULT40040/2830.36	400	4,0/2,8	30	FT3	36	<b>S</b>
LCULT45042/2830.40	450	4,2/2,8	30	2-10-60	40	
LCULT45042/2835.40	450	4,2/2,8	35		40	
LCULT50042/2830.44	500	4,2/2,8	30	2-10-60	44	
LCULT50042/2835.44	500	4,2/2,8	35		44	
LCULT55052/3630.48	550	5,2/3,6	30	2-10-60	48	
LCULT55052/3635.48	550	5,2/3,6	35		48	
LCULT60052/3630.48	600	5,2/3,6	30	2-10-60	48	
LCULT60052/3635.48	600	5,2/3,6	35		48	
LCULT65062/4035.48	650	6,2/4,0	35		48	
LCULT70062/4040.48	700	6,2/4,0	40		48	

## LAMA CIRCOLARE UNIVERSALE SPESSORE SOTTILE

Universal thin circular saw blade

Universal kreissägeblatt mit dünne schnittbreite

Hoja de sierra delgada para empleo universal

Универсальные дисковые пилы с тонким пропилом



Codice	D	B/b	d	FT	Z
LCUS15025/1830.24	150	2,5/1,8	30		24
LCUS15025/1830.36	150	2,5/1,8	30		36
LCUS18025/1830.30	180	2,5/1,8	30		30
LCUS18025/1830.48	180	2,5/1,8	30		48
LCUS20025/1830.34	200	2,5/1,8	30		34
LCUS20025/1830.48	200	2,5/1,8	30		48
LCUS25025/1830.40	250	2,5/1,8	30	FT3	40
LCUS25025/1830.60	250	2,5/1,8	30	FT3	60
LCUS30025/1830.48	300	2,5/1,8	30	FT3	48
LCUS30025/1830.72	300	2,5/1,8	30	FT3	72
LCUS35028/2030.54	350	2,8/2,0	30	FT3	54
LCUS35028/2030.84	350	2,8/2,0	30	FT3	84
LCUS40036/2530.60	400	3,6/2,5	30	FT3	60
LCUS40036/2530.96	400	3,6/2,5	30	FT3	96

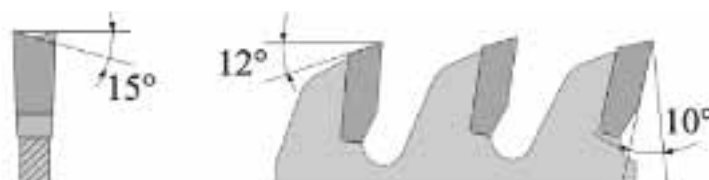
## LAMA CIRCOLARE UNIVERSALE SPESSORE SOTTILE HIGH PERFORMANCE

Universal thin circular saw blade high performance

Universal kreissägeblatt mit dünne schnittbreite high performance

Hoja de sierra delgada de alto rendimiento

Универсальные дисковые пилы с тонким пропилом высокого качества



Codice	D	B/b	d	FT	Z
LCUSHP15025/1830.48	150	2,5/1,8	30		48
LCUSHP20025/1830.64	200	2,5/1,8	30		64
LCUSHP25025/1830.80	250	2,5/1,8	30		80
LCUSHP30025/1830.96	300	2,5/1,8	30		96

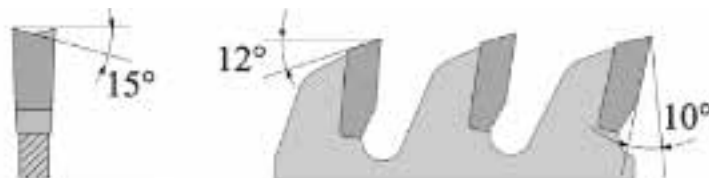
## LAMA CIRCOLARE UNIVERSALE HIGH PERFORMANCE ULTRA SILENZIATA

*Universal circular saw blade extra noisless*

*Universal gerauscharm kreissägeblatt*

*Hoja de sierra para empleo universal*

*Универсальные дисковые пилы с низким уровнем шума*



Codice	D	B/b	d	FT	Z
LCUHPUS25032/2230.40	250	3,2/2,2	30	FT3	40
LCUHPUS25032/2230.60	250	3,2/2,2	30	FT3	60
LCUHPUS25032/2230.80	250	3,,2/2,2	30	FT3	80
LCUHPUS30032/2230.48	300	3,2/2,2	30	FT3	48
LCUHPUS30032/2230.60	300	3,2/2,2	30	FT3	60
LCUHPUS30032/2230.72	300	3,2/2,2	30	FT3	72
LCUHPUS30032/2230.96	300	3,2/2,2	30	FT3	96
LCUHPUS35035/2530.54	350	3,5/2,5	30	FT3	54
LCUHPUS35035/2530.72	350	3,5/2,5	30	FT3	72
LCUHPUS35035/2530.84	350	3,5/2,5	30	FT3	84
LCUHPUS35035/2530.108	350	3,5/2,5	30	FT3	108
LCUHPUS40040/2830.60	400	4,0/2,8	30	FT3	60
LCUHPUS40040/2830.80	400	4,0/2,8	30	FT3	80
LCUHPUS40040/2830.96	400	4,0/2,8	30	FT3	96
LCUHPUS40040/2830.120	400	4,0/2,8	30	FT3	120

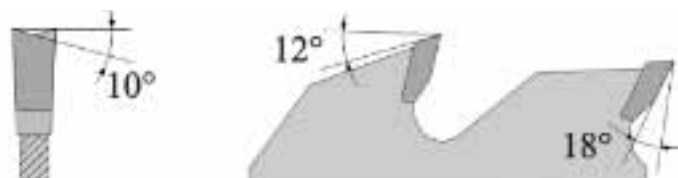
## LAMA CIRCOLARE MULTILAMA CON RASANTE

Circular saw blade for multirip machines with shavings

Kreissägeblatt für mehrblattmaschinen mit hm-reumern

Hoja de sierra con rasantes para sierra multiple

Дисковые пилы для многопильного станка с подрезными ножами



Codice	D	B/b	d	FT	Z	R	HT
LCMR25032/2230.20-2+2	250	3,2/2,2	30		20	2+2	65
LCMR25032/2260.20-2+2	250	3,2/2,2	60	21x74	20	2+2	65
LCMR25032/2270.20-2+2	250	3,2/2,2	70	21x84	20	2+2	65
LCMR25032/2280.20-2+2	250	3,2/2,2	80	13x90	20	2+2	65
LCMR28032/2280.24 2+2	280	3,2/2,2	80	13x90	24	2+2	70
LCMR30032/2230.24 2+2	300	3,2/2,2	30		24	2+2	80
LCMR30032/2250.24 2+2	300	3,2/2,2	50		24	2+2	80
LCMR30032/2260.24 2+2	300	3,2/2,2	60	21x74	24	2+2	80
LCMR30032/2270.24 2+2	300	3,2/2,2	70	21x84	24	2+2	80
LCMR30032/2275.24 2+2	300	3,2/2,2	75	21x91	24	2+2	80
LCMR30032/2280.24 2+2	300	3,2/2,2	80	13x90	24	2+2	80
LCMR30032/2280.24 2+2R	300	3,2/2,2	80	RAIMANN	24	2+2	80
LCMR30034/2280.24 2+2	300	3,4/2,2	80	13X90	24	2+2	80
LCMR32032/2270.24 2+2	320	3,2/2,2	70	21X84	24	2+2	90
LCMR32032/2280.24 2+2	320	3,2/2,2	80	13X90	24	2+2	90
LCMR32032/2290.24 2+2	320	3,2/2,2	90	21X110	24	2+2	85
LCMR32032/22100.24 2+2	320	3,2/2,2	100	13X110	24	2+2	85
LCMR35035/2530.24 2+4	350	3,5/2,5	30		24	2+4	105
LCMR35035/2550.24 2+4	350	3,5/2,5	50		24	2+4	105
LCMR35035/2560.24 2+4	350	3,5/2,5	60	21X74	24	2+4	105
LCMR35035/2570.24 2+4	350	3,5/2,5	70	21X84	24	2+4	105
LCMR35035/2575.24 2+4	350	3,5/2,5	75	21X91	24	2+4	105
LCMR35035/2580.24 2+4	350	3,5/2,5	80	14X92	24	2+4	105
LCMR35035/2580.24 2+4R	350	3,5/2,5	80	RAIMANN	24	2+4	105
LCMR35035/2590.24 2+4	350	3,5/2,5	90	21X110	24	2+4	95
LCMR35035/2595.24 2+4	350	3,5/2,5	95	21X109	24	2+4	95
LCMR35035/25100.24 2+4	350	3,5/2,5	100	13X112	24	2+4	95
LCMR35035/25105.24 2+4	350	3,5/2,5	105	21X119	24	2+4	95
LCMR35038/2530.24 2.4	350	3,8/2,5	30		24	2+4	105
LCMR35038/2570.24 2+4	350	3,8/2,5	70	21X84	24	2+4	105

## LAMA CIRCOLARE MULTILAMA CON RASANTE

*Circular saw blade for multirip machines with shavings*

*Kreissägeblatt für mehrblattmaschinen mit hm-reumern*

*Hoja de sierra con rasantes para sierra multiple*

*Дисковые пилы для многопильного станка с подрезными ножами*



Codice	D	B/b	d	FT	Z	R	HT
LCMR35038/2580.24 2+4	350	3,8/2,5	80	14X92	24	2+4	105
LCMR35038/2590.24 2+4	350	3,8/2,5	90	21X110	24	2+4	95
LCMR38049/2870.28 2+4	380	4,0/2,8	70	21X84	28	2+4	115
LCMR38040/2875.28 2+4	380	4,0/2,8	75	21X91	28	2+4	115
LCMR38040/28100.28 2+4	380	4,0/2,8	100	13X112	28	2+4	115
LCMR40040/2830.28 2+4	400	4,0/2,8	30		28	2+4	120
LCMR40040/2850.28 2+4	400	4,0/2,8	50		28	2+4	120
LCMR40040/2870.28 2+4	400	4,0/2,8	70	21X84	28	2+4	120
LCMR40040/2874.28 2+4	400	4,0/2,8	75	21X91	28	2+4	120
LCMR40040/2880.28 2+4	400	4,0/2,8	80	14X92	28	2+4	120
LCMR40040/2890.28 2+4	400	4,0/2,8	90	21X110	28	2+4	120
LCMR40040/2895.28 2+4	400	4,0/2,8	95	21X109	28	2+4	120
LCMR40040/28100.28 2+4	400	4,0/2,8	100	13X112	28	2+4	120
LCMR40040/28110.28 2+4	400	4,0/2,8	110	21X130	28	2+4	120
LCMR45046/3230.24 2+4	450	4,6/3,2	30		24	2+4	135
LCMR45046/3250.24 2+4	450	4,6/3,2	50		24	2+4	135
LCMR45046/3270.24 2+4	450	4,6/3,2	70	21X84	24	2+4	135
LCMR45046/3275.24 2+4	450	4,6/3,2	75	21X91	24	2+4	135
LCMR45046/3280.24 2+4	450	4,6/3,2	80	13X92	24	2+4	135
LCMR45046/3290.24 2+4	450	4,6/3,2	90	21X110	24	2+4	135
LCMR50046/3230.26 2+6	500	4,6/3,2	30		26	2+6	175
LCMR50046/3250.26 2+6	500	4,6/3,2	50		26	2+6	175
LCMR50046/3270.26 2+6	500	4,6/3,2	70	21X84	26	2+6	175
LCMR50046/3280.26 2+6	500	4,6/3,2	80	13X92	26	2+6	175
LCMR50046/32110.26 2+6	500	4,6/3,2	110	18X130	26	2+6	165
LCMR50046/32130.26 2+6	500	4,6/3,2	130	18X146	26	2+4	135
LCMR55048/3630.28 2+6	550	4,8/3,6	30		28	2+6	175
LCMR55048/3650.28 2+6	550	4,8/3,6	50		28	2+6	175
LCMR55048/3680.28 2+6	550	4,8/3,6	80	13X92	28	2+6	175
LCMR55048/36110.28 2+6	550	4,8/3,6	110	21X130	28	2+6	165
LCMR55048/36130.28 2+6	550	4,8/3,6	130	18X146	28	2+6	165
LCMR55048/36150.28 2+6	550	4,8/3,6	150	21X167	28	2+6	165
LCMR60048/3630.32 2+6	600	4,8/3,6	30		32	2+6	175
LCMR60048/3650.32 2+6	600	4,8/3,6	50		32	2+6	175
LCMR60048/3680.32 2+6	600	4,8/3,6	80	13X92	32	2+6	175
LCMR60048/3690.32 2+6	600	4,8/3,6	90	21X110	32	2+6	175

Misure speciali su richiesta - Special sizes on request - Sonderabmessungen auf Anfrage - medidas especiales sobre pedido - Специальные размеры под заказ



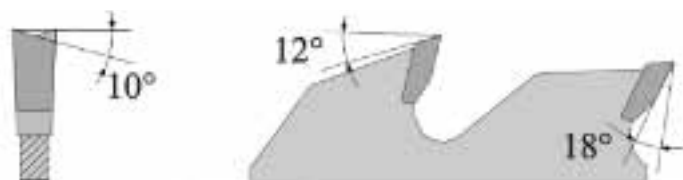
## LAMA CIRCOLARE MULTILAMA SPESSORE GROSSO CON RASANTE

Thick circular saw blade for multirip saw machine with shavings

Kreissägeblatt grosse dicke für mehrblattmaschinen mit hm-reuern

Hoja de sierra espesa con rasadores para multihojas

Дисковые пилы для многопильного станка с утолщенным корпусом и с подрезными ножами



Codice	D	B/b	d	FT	Z	R	HT
LCMRSP250402870.20-2/2	250	4,0/2,8	70	21X84	20	2+2	65
LCMRSP25040/2880.20 2+2	250	4,0/2,8	80	13X90	20	2+2	65
LCMRSP30040/2870.24 2+2	300	4,0/2,8	70	21X84	24	2+2	80
LCMRSP30040/2875.24 2+2	300	4,0/2,8	75	21X91	24	2+2	80
LCMRSP30040/2880.24 2+2	300	4,0/2,8	80	13X90	24	2+2	80
LCMRSP30052/3670.24 2+2	300	5,2/3,6	70	21X84	24	2+2	80
LCMRSP30052/3675.24 2+2	300	5,2/3,6	75	21X91	24	2+2	80
LCMRSP30052/3680.24 2+2	300	5,2/3,6	80	13X90	24	2+2	80
LCMRSP32040/2870.24 2+2	320	4,0/2,8	70	21X84	24	2+2	90
LCMRSP32040/2880.24 2+2	320	4,0/2,8	80	13X90	24	2+2	90
LCMRSP35042/2870.24 2+4	350	4,2/2,8	70	21X84	24	2+4	105
LCMRSP35042/2875.24 2+4	350	4,2/2,8	75	21X91	24	2+4	105
LCMRSP35042/2880.24 2+4	350	4,2/2,8	80	14X92	24	2+4	105
LCMRSP35045/3270.24 2+4	350	4,5/3,2	70	21X84	24	2+4	105
LCMRSP35045/3275.24 2+4	350	4,5/3,2	75	21X91	24	2+4	105
LCMRSP35045/3280.24 2+4	350	4,5/3,2	80	14X92	24	2+4	105
LCMRSP35045/3290.24 2+4	350	4,5/3,2	90	21X110	24	2+4	95
LCMRSP35052/3670.24 2+4	350	5,2/3,6	70	21X84	24	2+4	105
LCMRSP35052/3675.24 2+4	350	5,2/3,6	75	21X91	24	2+4	105
LCMRSP35052/3680.24 2+4	350	5,2/3,6	80	14X92	24	2+4	105
LCMRSP40045/3270.28 2+4	400	4,5/3,2	70	21X84	28	2+4	120
LCMRSP40045/3275.28 2+4	400	4,5/3,2	75	21X91	28	2+4	120
LCMRSP40045/3280.28 2+4	400	4,5/3,2	80	14X92	28	2+4	120
LCMRSP40045/3290.28 2+4	400	4,5/3,2	90	21X110	28	2+4	120

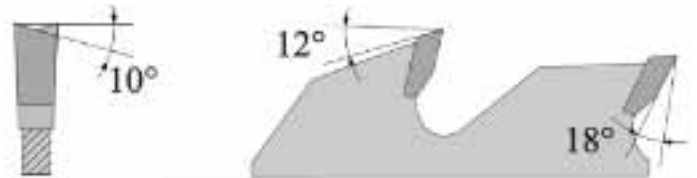
## LAMA CIRCOLARE MULTILAMA SOTTILE CON RASANTE

*Circular saw blade for multirip saw machine thin thickness with shavings*

*Kreissägeblatt für mehrblattmaschinen mit hm-reuern mit dünne schnittbreite*

*Hoja de sierra delgada con rasadores*

*Дисковые пилы для многопильного станка с тонким пропилом с подрезными ножами*



Codice	D	B/b	d	FT	Z	R	HT
LCMRS18025/1835.21 3	180	2,5/1,8	35		21	3	30
LCMRS18025/1840.21 3	180	2,5/1,8	40		21	3	30
LCMRS20025/1835.21 3	200	2,5/1,8	35		21	3	35
LCMRS20025/1840.21 3	200	2,5/1,8	40		21	3	35
LCMRS22525/1840.21 3	225	2,5/1,8	40		21	3	40
LCMRS22525/1860.21 3	225	2,5/1,8	60		21	3	40
LCMRS25027/1860.20 2+2	250	2,7/1,8	60	21x74	20	2+2	50
LCMRS25027/1870.20 2+2	250	2,7/1,8	70	21x84	20	2+2	50
LCMRS25027/1880.20 2+2	250	2,7/1,8	80	13x90	20	2+2	50
LCMRS30027/1860.24 2+2	300	2,7/1,8	60	21x74	24	2+2	60
LCMRS30027/1870.24 2+2	300	2,7/1,8	70	21x84	24	2+2	60
LCMRS30027/1880.24 2+2	300	2,7/1,8	80	13x90	24	2+2	60

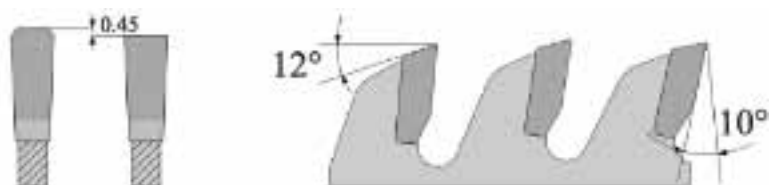
## LAMA CIRCOLARE PER LAMINATI

Circular saw blade for plastic laminated panels

Kreissägeblatt für schichtstoffplatten

Hoja de sierra para tableros estratificados

Дисковые пилы для форматно-раскроечных станков



Codice	D	B/b	d	FT	Z
LCL20032/2230.64	200	3,2/2,2	30	FT3	64
LCL22032/2230.64	220	3,2/2,2	30	FT3	64
LCL25032/2230.60	250	3,2/2,2	30	FT3	60
LCL25032/2230.80	250	3,2/2,2	30	FT3	80
LCL30032/2230.72	300	3,2/2,2	30	FT3	72
LCL30032/2230.96	300	3,2/2,2	30	FT3	96
LCL32032/2230.72	320	3,2/2,2	30	FT3	72
LCL32032/2230.96	320	3,2/2,2	30	FT3	96
LCL35035/2530.84	350	3,2/2,5	30	FT3	84
LCL35035/2530108	350	3,2/2,5	30	FT3	108

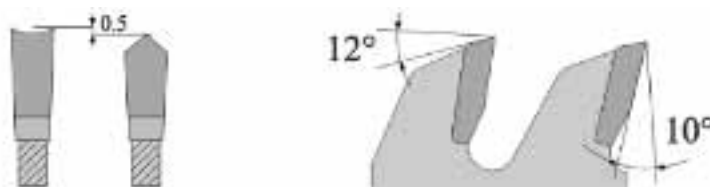
## LAMA CIRCOLARE PER LAMINATI DENTE CONCAVO

Circular saw blade for plastic laminated panels with hollow tooth

Kreissägeblatt Holzspanplatten

Hoja de sierra para tableros estratificados con dientes concave

Дисковые пилы для раскроя ламинированного ДСП и пластика с вогнутым зубом



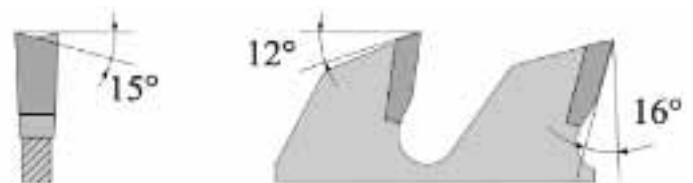
Codice	D	B/b	d	FT	Z
LCLTC22032/2230.42	220	3,2/2,2	30	FT3	42
LCLTC25032/2230.48	250	3,2/2,2	30	FT3	48
LCLTC30032/2230.60	300	3,2/2,2	30	FT3	60
LCLTC30332/2230.60	303	3,2/2,2	30	FT3	60
LCLTC35035/2530.72	350	3,5/2,5	30	FT3	72

## LAMA CIRCOLARE SEZIONATRICE DENTE ALTERNO CON SILENZIATURA PIENA

*Circular panel sizing saw blade alternate bevel tooth full noiseless*

*Gerauscharm kreissägeblatt für plattenaufteil maschinen  
hartmetall bestückt wechselzahn – korper mit mikroschlitzzen  
Hoja de sierra para despiedadora con diente alterno*

*Дисковая пила для форматно-раскроечных станков и центров с низким уровнем шума*



Codice	D	B/b	d	FT	Z
30044/3230.48	300	4,4/3,2	30	FT3	48
30044/3230:60	300	4,4/3,2	30	FT3	60
30044/3230.72	300	4,4/3,2	30	FT3	72
32044/3250.36	320	4,4/3,2	50	Giben	36
35044/3230.54	350	4,4/3,2	30	FT3	54
35044/3275.53	350	4,4/3,2	75	FT5	54
35044/3280.54	350	4,4/3,2	80	FT4	54
35044/3230.72	350	4,4/3,2	30	FT3	72
35044/3275.72	350	4,4/3,2	75	FT5	72
35044/3280.72	350	4,4/3,2	80	FT4	72
40044/3230.36	400	4,4/3,2	30	22191	36
40044/3280.36	400	4,4/3,2	80	FT4	36
40044/3230.48	400	4,4/3,2	30	2-10-60	48
40044/3280.48	400	4,4/3,2	80	FT4	48
40044/3230.60	400	4,4/3,2	30	2-10-60	60
40044/3275.60	400	4,4/3,2	75	GIBEN-HOMAG	60
40044/3280.60	400	4,4/3,2	80	FT4	60
40044/3230.72	400	4,4/3,2	30	2-10-60	72
40044/3275.72	400	4,4/3,2	75	GIBEN-HOMAG	72
40044/3280.72	400	4,4/3,2	80	FT4	72
40046/3275.60	400	4,6/3,2	75	GIBEN-HOMAG	60
40046/3280.60	400	4,6/3,2	80	FT4	60
45044/3280.36	450	4,4/3,2	80	FT4	36
45044/3230.54	450	4,4/3,2	30	2- 10- 60 Shelling	54
45044/3280.54	450	4,4/3,2	80	FT4	54
45044/3230.72	450	4,4/3,2	30	2- 10- 60 Shelling	72
45048/3580.48	450	4,8/3,5	80	FT4	48
50046/3230.72	500	4,6/3,2	30	2- 10- 60 Shelling	72

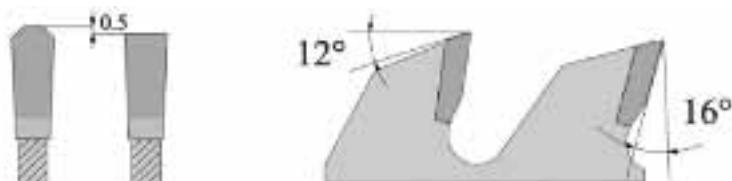
## LAMA CIRCOLARE SEZIONATRICE DENTE TRAPEZIO-PIANO CON SILENZIATURA PIENA

*Circular panel sizing saw blade trapezoidal-flat tooth full noiseless*

*Gerauscharm kreissägeblatt für plattenaufteil maschinen  
mit hartmetall bestückt trapez und flachzahn*

*Hoja de sierra para despiedadora con diente trapezoidal - recto*

*Дисковая пила для форматно-раскроечных станков и центров с  
трапецивидным зубом и с низким уровнем шума*



Codice	D	B/b	d	FT	Z
LCSTP30044/3230.60	300	4,4/3,2	30		60
LCSTP30044/3265.60	300	4,4/32	65	Selco	60
LCSTP30044/3275.60	300	4,4/32	75	Homag	60
LCSTP30044/3280.60	300	4,4/32	80	Gabbiani	60
LCSTP30044/3230.72	300	4,4/32	30	FT3	72
LCSTP30044/3265.72	300	4,4/32	65	Selco	72
LCSTP30044/3280.72	300	4,4/32	80	Gabbiani	72
LCSTP32044/3250.60	320	4,4/3,2	50	Giben	60
LCSTP32044/3265.60	320	4,4/3,2	65	Selco	60
LCSTP32044/3250.72	320	4,4/3,2	50	Giben	72
LCSTP32044/3275.72	320	4,4/3,2	75	Giben	72
LCSTP32046/3265.60	320	4,6/3,2	65	Selco	60
LCSTP33044/3250.60	330	4,4/3,2	50	Giben	60
LCSTP350425/3230.72	350	42,5/3,2	30	FT3	72
LCSTP35044/3230.54	350	4,4/3,2	30	FT3	54
LCSTP35044/3275.54	350	4,4/3,2	75	FT5	54
LCSTP35044/3280.54	350	4,4/3,2	80	FT4	54
LCSTP35044/3230.72	350	4,4/3,2	30	FT3	72
LCSTP35044/3250.72	350	4,4/3,2	50	Giben	72
LCSTP35044/3260.72	350	4,4/3,2	60	Holzma	72
LCSTP35044/3265.72	350	4,4/3,2	65	Selco	72
LCSTP35044/3275.72	350	4,4/3,2	75	FT5	72
LCSTP35044/3280.72	350	4,4/3,2	80	FT4	72
LCSTP35046/3280.72	350	4,6/3,2	80	FT4	72

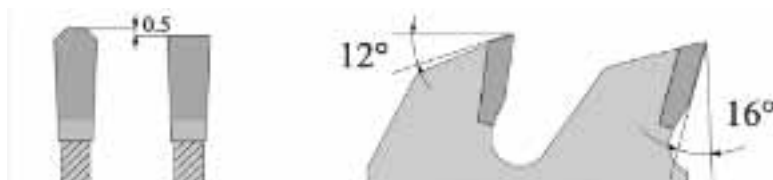
## LAMA CIRCOLARE SEZIONATRICE DENTE TRAPEZIO-PIANO CON SILENZIATURA PIENA

*Circular panel sizing saw blade trapezoidal-flat tooth full noiseless*

*Gerauscharm kreissägeblatt für plattenaufteil maschinen  
mit hartmetall bestückt trapez und flachzahn*

*Hoja de sierra para despiedadora con diente trapezoidal - recto*

*Дисковая пила для форматно-раскроечных станков и центров с  
трапецивидным зубом и с низким уровнем шума*



Codice	D	B/b	d	FT	Z
LCSTP35544/3230.72	355	4,4/3,2	30	FT3	72
LCSTP35544/3275.72	355	4,4/3,2	75	FT5	72
LCSTP35544/3280.72	355	4,4/3,2	80	FT4	72
LCSTP36044/3250.72	360	4,4/3,2	50	Giben	72
LCSTP36044/3265.72	360	4,4/3,2	65	Selco	72
LCSTP37044/3230.72	370	4,4/3,2	30	Schelling	72
LCSTP38044/3250.72	380	4,4/3,2	50	Giben	72
LCSTP38044/3260.72	380	4,4/3,2	60	Holzma	72
LCSTP38044/3275.72	380	4,4/3,2	75	FT5	72
LCSTP38044/3280.72	380	4,4/3,2	80	FT4	72
LCSTP38048/3560.72	380	4,8/3,5	60	Holzma	72
LCSTP38048/3560.84	380	4,8/3,5	60	Holzma	84
LCSTP400425/3230.72	400	42,5/3,2	30	2-10-60	72
LCSTP40044/3230.60	400	4,4/3,2	30	2-10-60	60
LCSTP40044/3275.60	400	4,4/3,2	75	Giben Homag	60
LCSTP40044/3280.60	400	4,4/3,2	80	FT4	60
LCSTP40044/3230.72	400	4,4/3,2	30	2-10-60	72
LCSTP40044/3260.72	400	4,4/3,2	60	Anthon	72
LCSTP40044/3275.72	400	4,4/3,2	75	Giben Homag	72
LCSTP40044/3280.72	400	4,4/3,2	80	FT4	72
LCSTP40046/3280.72	400	4,6/3,2	80	FT4	72
LCSTP40048/3560.72	400	4,8/3,5	60	Holzma	72

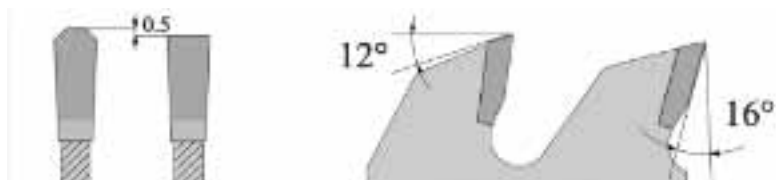
## LAMA CIRCOLARE SEZIONATRICE DENTE TRAPEZIO-PIANO CON SILENZIATURA PIENA

*Circular panel sizing saw blade trapezoidal-flat tooth full noiseless*

*Gerauscharm kreissägeblatt für plattenaufteil maschinen  
mit hartmetall bestückt trapez und flachzahn*

*Hoja de sierra para despiedadora con diente trapezoidal - recto*

*Дисковая пила для форматно-раскроечных станков и центров с  
трапецивидным зубом и с низким уровнем шума*



Codice	D	B/b	d	FT	Z
LCSTP42044/3280.72	420	4,4/3,2	80	FT4	72
LCSTP42048/3560.72	420	4,8/3,5	60	Holzma	72
LCSTP43044/3230.72	430	4,4/3,2	30	2 10 60	72
LCSTP43044/3260.72	430	4,4/3,2	60	Anthon	72
LCSTP43044/3275.72	430	4,4/3,2	75	Giben	72
LCSTP43044/3280.72	430	4,4/3,2	80	FT4	72
LCSTP43044/3275.96	430	4,4/3,2	75	Giben	96
LCSTP43046/3280.72	430	4,6/3,2	80	FT4	72
LCSTP45044/3230.72	450	4,4/3,2	30	Schelling	72
LCSTP45044/3260.72	450	4,4/3,2	60	Anthon Holzma	72
LCSTP45044/3275.72	450	4,4/3,2	75	Macmazza	72
LCSTP45044/3280.72	450	4,4/3,2	80	FT4	72
LCSTP45046/3280.72	450	4,6/3,2	80	FT4	72
LCSTP45048/3560.72	450	4,8/3,5	60	Holzma	72
LCSTP45048/3580.72	450	4,8/3,5	80	FT4	72
LCSTP46044/3230.72	460	4,4/3,2	30	Schelling	72
LCSTP47044/3275.72	470	4,4/3,2	75	Giben	72
LCSTP47044/3275.96	470	4,4/3,2	75	Giben	96
LCSTP48044/3230.72	480	4,4/3,2	30	Schelling	72
LCSTP48048/3560.72	480	4,8/3,5	60	Holzma	72
LCSTP48048/3580.72	480	4,8/3,5	80	Selco	72
LCSTP48052/3580.72	480	5,2/3,5	80	Selco	72

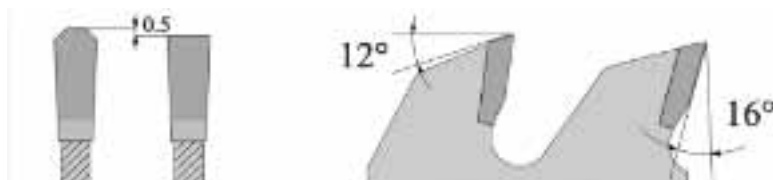
## LAMA CIRCOLARE SEZIONATRICE DENTE TRAPEZIO-PIANO CON SILENZIATURA PIENA

*Circular panel sizing saw blade trapezoidal-flat tooth full noiseless*

*Gerauscharm kreissägeblatt für plattenaufteil maschinen  
mit hartmetall bestückt trapez und flachzahn*

*Hoja de sierra para despiedadora con diente trapezoidal - recto*

*Дисковая пила для форматно-раскроечных станков и центров с  
трапецивидным зубом и с низким уровнем шума*



Codice	D	B/b	d	FT	Z
LCSTP50046/3230.72	500	4,6/3,2	30	Schelling	72
LCSTP50048/3560.60	500	4,8/3,5	60	Holzma	60
LCSTP50048/3560.72	500	4,8/3,5	60	Holzma	72
LCSTP52048/3560.60	520	4,8/3,5	60	Holzma	60
LCSTP52048/3530.72	520	4,8/3,5	30	Schelling	72
LCSTP53050/3530.60	530	5,0/3,5	30	Schelling	60
LCSTP53058/4060.60	530	5,8/4,0	60	Anthon	60
LCSTP54048/3560.84	540	4,8/3,5	60	Holzma	84
LCSTP54058/4060.60	540	5,8/4,0	60	Holzma	60
LCSTP55052/3540.60	550	5,2/3,5	40	Schelling	60
LCSTP55052/35100.72	550	5,2/3,5	100	Giben	72
LCSTP56552/35100.72	565	5,2/3,5	100	Giben	72
LCSTP57048/3560.60	570	4,8/3,5	60	Holzma	60
LCSTP5705874060.96	570	5,8/4,0	60	Holzma	96
LCSTP60058/4060.60	600	5,8/4,0	60	Holzma	60
LCSTP60058/4060.72	600	5,8/4,0	60	Holzma	72
LCSTP62062/4040.60	620	6,2/4,0	40	Schelling	60
LCSTP65062/4040.60	650	6,2/4,0	40	Schelling	60
LCSTP65062/4040.72	650	6,2/4,0	40	Schelling	72
LCSTP6705874060.60	670	5,8/4,0	60	Holzma	60
LCSTO67058/4060.72	670	5,8/4,0	60	Holzma	72
LCSTP68062/4040.60	680	6,2/4,0	40	Schelling	60
LCSTP72062/4440.60	720	6,2/4,4	40	Schelling	60
LCSTP73062/4460.60	730	6,2/4,4	60	Holzma	60
LCSTP73062/4460.72	730	6,2/4,4	60	Holzma	72
LCSTP73062/4480.60	730	6,2/4,4	80	Anthon	60



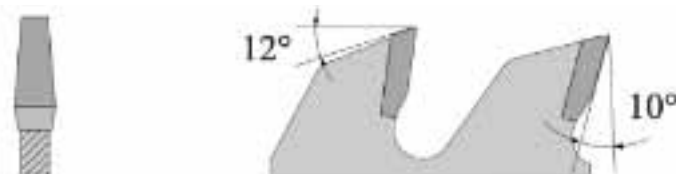
## LAMA AD INCISORE CONICO PER SEZIONATRICE

*Dividing scoring saw blade*

*Konische ritz-kreissägeblatt*

*Incisor para el despiezado de tableros*

*Подрезная пила коническая*



Codice	D	B	b	d	FT	Z
LCI8031-40/2220.12	80	3,1/4,0	2,2	20		12
LCI9030-41/2230.12	90	3,0/4,1	2,2	20		12
LCI10031-43/2220.20	100	3,1/4,3	2,2	20		20
LCI10031-43/2220.24	100	3,1/4,3	2,2	20		24
LCI11031-43/2220.20	110	3,1/4,3	2,2	20		20
LCI12031-43/2220.20	120	3,1/4,3	2,2	20		20
LCI12031-43/2222.20	120	3,1/4,3	2,2	22		20
LCI12034-45/2220.20	120	3,1/4,5	2,2	20		20
LCI12531-43/2220.24	125	3,1/4,3	2,2	20		24
LCI12531-43/2222.24	125	3,1/4,3	2,2	22		24
LCI12534-45/2220.24	125	3,4/4,5	2,2	20		24
LCI12543-55/3220.24	125	4,3/5,5	3,2	20		24
LCI12543-55/3222.24	125	4,3/5,5	3,2	22		24
LCI12543-55/3245.24	125	4,3/5,5	3,2	45		24
LCI14031-43/2220.24	140	3,1/4,3	2,2	20		24
LCI14043-55/3245.24	140	4,3/5,5	3,2	45	1-8-58	24
LCI15043-55/3230.24	150	4,3/5,5	3,2	30		24
LCI15043-55/3245.24	150	4,3/5,5	3,2	45		24
LCI15031-43/2230.36	150	3,1/4,3	2,2	30		36
LCI15034-45/2230.36	150	3,4/4,5	2,2	30		36
LCI15039-51/2830.36	150	3,9/5,1	2,8	30		36
LCI15043-55/3230.36	150	4,3/5,5	3,2	30		36
LCI15043-55/3245.36	150	4,3/5,5	3,2	45	GIBEN	36
LCI15043-55/3255.36	150	4,3/5,5	3,2	55	GABBIANI	36
LCI16043-55/3220.36	160	4,3/5,5	3,2	20		36
LCI16043-55/3230.36	160	4,3/5,5	3,2	30	GIBEN	36
LCI16043-55/3245.36	160	4,3/5,5	3,2	45	GABBIANI	36
LCI16043-55/3255.36	160	4,3/5,5	3,2	55	MACMAZZA	36
LCI16045-57/3245.36	160	4,5/5,7	3,2	45	GIBEN	36
LCI16045-57/3255.36	160	4,5/5,7	3,2	55	GABBIANI	36

## LAMA AD INCISORE CONICO PER SEZIONATRICE

*Dividing scoring saw blade*

*Konische ritz-kreissägeblatt*

*Incisor para el despiezado de tableros*

*Подрезная пила коническая*



Codice	D	B	b	d	FT	Z
LCI16047-60/3555.36	160	4,7/6,0	3,5	55	GABBIANI	36
LCI18043-55/3220.36	180	4,3/5,5	3,2	20		36
LCI18043-55/3230.36	180	4,3/5,5	3,2	30		36
LCI18043-55/3245.36	180	4,3/5,5	3,2	45	HOLZMA	36
LCI18047-60/3545.36	180	4,7/6,0	3,5	45	HOLZMA	36
LCI18050-62/3555.36	180	5,0/6,2	3,5	55	GIBEN	36
LCI18058-70/4020.36	180	5,8/7,0	4,0	20	ANTHON	36
LCI18062-72/4020.36	180	6,2/7,2	4,0	20	ANTHON	36
LCI18043-55/3250.44	180	4,3/5,5	3,2	50	GIBEN	44
LCI20043-55/3220.36	200	4,3/5,5	3,2	20		36
LCI20043-55/3230.36	200	4,3/5,5	3,2	30		36
LCI20043-55/3245.36	200	4,3/5,5	3,2	45	HOLZMA	36
LCI20043-55/3265.36	200	4,3/5,5	3,2	65	SELCO	36
LCI20043-55/3280.36	200	4,3/5,5	3,2	80	GABBIANI	36
LCI20045-57/3265.36	200	4,5/5,7	3,2	65	SELCO	36
LCI20047-60/3545.36	200	4,7/6,0	3,5	45	HOLZMA	36
LCI20047-60/3565.36	200	4,7/6,0	3,5	65	SELCO	36
LCI20050-62/3520.36	200	5,0/6,2	3,5	20	SHELLING	36
LCI20050-62/3565.36	200	5,0/6,2	3,5	65	SELCO	36
LCI20058-70/4045.36	200	5,8/7,0	4,0	45	HOLZMA	36
LCI20062-72/4020.36	200	6,2/7,2	4,0	20	SHELLING	36
LCI20062-72/4445.36	200	6,2/7,2	4,4	45	HOLZMA	36
LCI21543-55/3250.42	215	4,3/5,5	3,2	50	GIBEN	42
LCI21545-57/3250.42	215	4,5/5,7	3,2	50	GIBEN	42
LCI25045-57/3230.60	250	4,5/5,7	3,2	30		60
LCI28045-56/3255.48	280	4,5/5,6	3,2	55	MACMAZZA	48
LCI30043-55/3250.48	300	4,3/5,5	3,2	50	GIBEN	48
LCI30043-55/3265.72	300	4,3/5,5	3,2	65	SELCO	72
LCI30045-57/3250.48	300	4,5/5,7	3,2	50	GIBEN	48
LCI30045-57/3265.72	300	4,5/5,7	3,2	65	SELCO	72
LCI30047-60/3565.72	300	4,7/6,0	3,5	65	SELCO	72

## LAMA INCISORE REGOLABILE

*Adjustable dividing scoring saw blade*

*Verstellbarritz kreissägeblatt*

*Incisor para el despiezado de tableros*

*Подрезная пила регулируемая*



<b>Codice</b>	<b>D</b>	<b>B</b>	<b>b</b>	<b>d</b>	<b>Z</b>
LCIR7028-36/2220.8	70	2,8/3,6	2,2	20	8+8
LCIR8028-36/2220.10	80	2,8/3,6	2,2	20	10+10
LCIR10028-36/2220.10	100	2,8/3,6	2,2	20	10+10
LCIR10028-36/2222.10	100	2,8/3,6	2,2	22	10+10
LCIR12028-36/2220.12	120	2,8/3,6	2,2	20	12+12
LCIR12028-36/2222.12	120	2,8/3,6	2,2	22	12+12
LCIR12528-36/2220.12	125	2,8/3,6	2,2	20	12+12
LCIR12528-36/2222.12	125	2,8/3,6	2,2	22	12+12

## LAMA CIRCOLARE PER SCANALATURE

Grooving circular saw blade

Nut kreissägeblatt

Hoja de sierra para ranurar

Дисковая пила для пазов



Codice	D	B/b	d	FT	Z
LCS12515/1130.12	125	1,5/1,1	30		12
LCS12518/1330.12	125	1,8/1,3	30		12
LCS12520/1430.12	125	2,0/1,4	30		12
LCS12525/1630.12	125	2,5/1,6	30		12
LCS12530/2030.12	125	3,0/2,0	30		12
LCS12535/2530.12	125	3,5/2,5	30		12
LCS12540/2830.12	125	4,0/2,8	30		12
LCS12545/3230.12	125	4,5/3,2	30		12
LCS12550/4030.12	125	5,0/4,0	30		12
LCS12560/4030.12	125	6,0/4,0	30		12
LCS12570/6030.12	125	7,0/6,0	30		12
LCS12580/6030.12	125	8,0/6,0	30		12
LCS12590/6030.12	125	9,0/6,0	30		12
LCS125100/6030.12	125	10,0/6,0	30		12
LCS15015/1130.18	150	1,5/1,1	30		18
LCS15018/1330.18	150	1,8/1,3	30		18
LCS15020/1430.18	150	2,0/1,4	30		18
LCS15025/1630.18	150	2,5/1,6	30		18
LCS15030/2030.18	150	3,0/2,0	30		18
LCS15035/2530.18	150	3,5/2,5	30		18
LCS15040/2830.18	150	4,0/2,8	30		18
LCS15050/4030.18	150	5,0/4,0	30		18
LCS15060/4030.18	150	6,0/4,0	30		18
LCS15070/6030.18	150	7,0/6,0	30		18
LCS15080/6030.18	150	8,0/6,0	30		18
LCS15090/6030.18	150	9,0/6,0	30		18
LCS150100/6030.18	150	10,0/6,0	30		18
LCS18020/1430.24	180	2,0/1,4	30		24
LCS18025/1630.24	180	2,5/1,6	30		24
LCS18030/2030.24	180	3,0/2,0	30		24
LCS18035/2530.24	180	3,5/2,5	30		24
LCS18040/2830.24	180	4,0/2,8	30		24
LCS18050/4030.24	180	5,0/4,0	30		24

## LAMA CIRCOLARE PER SCANALATURE

Grooving circular saw blade

Nut kreissägeblatt

Hoja de sierra para ranurar

Дисковая пила для пазов



Codice	D	B/b	d	FT	Z
LCS18060/4030.24	180	6,0/4,0	30		24
LCS18070/6030.24	180	7,0/6,0	30		24
LCS18080/6030.24	180	8,0/6,0	30		24
LCS18090/6030.24	180	9,0/6,0	30		24
LCS180100/6030.24	180	10,0/6,0	30		24
LCS18020/1435.24	180	2,0/1,4	35		24
LCS18025/1635.24	180	2,5/1,6	35		24
LCS18030/2035.24	180	3,0/2,0	35		24
LCS18035/2535.24	180	3,5/2,5	35		24
LCS18040/2835.24	180	4,0/2,8	35		24
LCS18050/4035.24	180	5,0/4,0	35		24
LCS18060/4035.24	180	6,0/4,0	35		24
LCS18070/6035.24	180	7,0/6,0	35		24
LCS18080/6035.24	180	8,0/6,0	35		24
LCS18090/6035.24	180	9,0/6,0	35		24
LCS180100/6035.24	180	10,0/6,0	35		24
LCS20030/2030.32	200	3,0/2,0	30		32
LCS20040/2830.32	200	4,0/2,8	30		32
LCS20050/4030.32	200	5,0/4,0	30		32
LCS20060/4030.32	200	6,0/4,0	30		32
LCS25030/2030.40	250	3,0/2,0	30		40
LCS25040/2830.40	250	4,0/2,8	30		40
LCS25050/4030.40	250	5,0/4,0	30		40
LCS25060/4030.40	250	6,0/4,0	30		40
LCS3003072030.48	300	3,0/2,0	30		48
LCS30040/2830.48	300	4,0/2,8	30		48
LCS30050/4030.48	300	5,0/4,0	30		48
LCS30060/4030.48	300	6,0/4,0	30		48

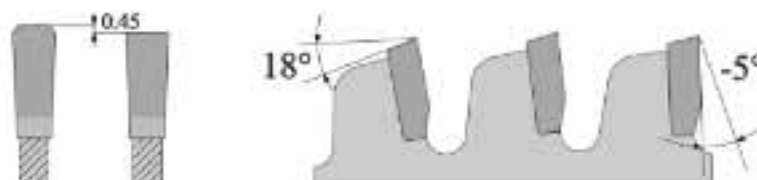
## LAMA CIRCOLARE PER ALLUMINIO TAGLIENTI NEGATIVI

Circular saw blades for aluminium negative cut

Kreissägeblatt für ne-metalle - negative zahn

Hoja de sierra para el corte de metals ligeros con corte negativo

Дисковая пила для обработки алюминия с отрицательным углом



Codice	D	B/b	d	FT	Z
LCAN20032/2520.64	200	3,2/2,5	20	2 11 63	64
LCAN25034/2630.60	250	3,4/2,6	30	2 11 63	60
LCAN25034/2632.60	250	3,4/2,6	32	2 11 63	60
LCAN25034/2630.80	250	3,4/2,6	30	2 11 63	80
LCAN25034/2632.80	250	3,4/2,6	32	2 11 63	80
LCAN27534/2630.84	275	3,4/2,6	30	2 11 63	84
LCAN27534/2632.84	275	3,4/2,6	32	2 11 63	84
LCAN30034/2630.72	300	3,4/2,6	30	2 11 63	72
LCAN30034/2632.72	300	3,4/2,6	32	2 11 63	72
LCAN30034/2630.84	300	3,4/2,6	30	2 11 63	84
LCAN30034/2632.84	300	3,4/2,6	32	2 11 63	84
LCAN30034/2630.96	300	3,4/2,6	30	2 11 63	96
LCAN30034/2632.96	300	3,4/2,6	32	2 11 63	96
LCAN32034/2630.96	320	3,4/2,6	30	2 11 63	96
LCAN33034/2630.96	330	3,4/2,6	30	2 11 63	96
LCAN35034/2630.84	350	3,4/2,6	30	2 11 63	84
LCAN35034/2632.84	350	3,4/2,6	32	2 11 63	84
LCAN35034/2630.96	350	3,4/2,6	30	2 11 63	96
LCAN35034/2632.96	350	3,4/2,6	32	2 11 63	96
LCAN35034/2630.108	350	3,4/2,6	30	2 11 63	108
LCAN35034/2632.108	350	3,4/2,6	32	2 11 63	108
LCAN37038/3030.96	370	3,8/3,0	30	2 11 63	96
LCAN38038/3030.96	380	3,8/3,0	30	2 11 63	96
LCAN40040/3230.96	400	4,0/3,2	30	2 11 63	96
LCAN40040/3232.96	400	4,0/3,2	32	2 11 63	96

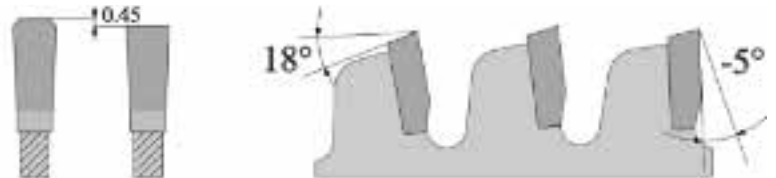
## LAMA CIRCOLARE PER ALLUMINIO TAGLIENTI NEGATIVI

Circular saw blades for aluminium negative cut

Kreissägeblatt für ne-metalle - negative zahn

Hoja de sierra para el corte de metals ligeros con corte negativo

Дисковая пила для обработки алюминия с отрицательным углом



Codice	D	B/b	d	FT	Z
LCAN40040/3230.108	400	4,0/3,2	30	2 11 63	108
LCAN40040/3232.108	400	4,0/3,2	32	2 11 63	108
LCAN40040/3230.120	400	4,0/3,2	30	2 11 63	120
LCAN40040/3232.120	400	4,0/3,2	32	2 11 63	120
LCAN42040/3230.96	420	4,0/3,2	30	2 11 63	96
LCAN43040/3230.96	430	4,0/3,2	30	2 11 63	96
LCAN45040/3230.96	450	4,0/3,2	30	2 11 63	96
LCAN45040/3232.96	450	4,0/3,2	32	2 11 63	96
LCAN45040/3230.108	450	4,0/3,2	30	2 11 63	108
LCAN45040/3232.108	450	4,0/3,2	32	2 11 63	108
LCAN45040/3230.128	450	4,0/3,2	30	2 11 63	128
LCAN45040/3232.128	450	4,0/3,2	32	2 11 63	128
LCAN45040/3230.140	450	4,0/3,2	30	2 11 63	140
LCAN50046/3630.120	500	4,6/3,6	30	2 11 63	120
LCAN50046/3632.120	500	4,6/3,6	32	2 11 63	120
LCAN50046/3630.140	500	4,6/3,6	30	2 11 63	140
LCAN50046/3630.156	500	4,6/3,6	30	2 11 63	156
LCAN55046/3630.140	550	4,6/3,6	30	2 11 63	140
LCAN55046/3630.172	550	4,6/3,6	30	2 11 63	172
LCAN60046/3630.140	600	4,6/3,6	30	2 11 63	140
LCAN60046/3630.186	600	4,6/3,6	30	2 11 63	186
LCAN65050/4030.160	650	5,0/4,0	30	2 11 63	160
LCAN70050/4030.160	700	5,0/4,0	30	2 11 63	160

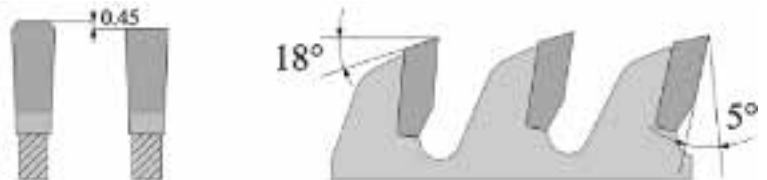
## LAMA CIRCOLARE PER ALLUMINIO TAGLIENTI POSITIVI

Circular saw blades for aluminium positive cut

Kreissägeblatt für ne-metalle - positive zahn

Hoja de sierra para el corte de metals ligeros con corte positivo

Дисковая пила для обработки алюминия с положительным углом



Codice	D	B/b	d	FT	Z
LCAP20032/2520.48	200	3,2/2,5	20		48
LCAP20032/2520.64	200	3,2/2,5	20	2 11 63	64
LCAP25034/2630.60	250	3,4/2,6	30	2 11 63	60
LCAP25034/2632.60	250	3,4/2,6	32	2 11 63	60
LCAP25034/2630.80	250	3,4/2,6	30	2 11 63	80
LCAP25034/2632.80	250	3,4/2,6	32	2 11 63	80
LCAP27534/2630.84	275	3,4/2,6	30	2 11 63	84
LCAP27534/2632.84	275	3,4/2,6	32	2 11 63	84
LCAP30034/2630.72	300	3,4/2,6	30	2 11 63	72
LCAP30034/2632.72	300	3,4/2,6	32	2 11 63	72
LCAP30034/2630.84	300	3,4/2,6	30	2 11 63	84
LCAP30034/2632.84	300	3,4/2,6	32	2 11 63	84
LCAP30034/2630.96	300	3,4/2,6	30	2 11 63	96
LCAP30034/2632.96	300	3,4/2,6	32	2 11 63	96
LCAP32034/2630.96	320	3,4/2,6	30	2 11 63	96
LCAP33034/2630.96	330	3,4/2,6	30	2 11 63	96
LCAP35034/2630.84	350	3,4/2,6	30	2 11 63	84
LCAP35034/2632.84	350	3,4/2,6	32	2 11 63	84
LCAP35034/2630.96	350	3,4/2,6	30	2 11 63	96
LCAP35034/2632.96	350	3,4/2,6	32	2 11 63	96
LCAP35034/2630.108	350	3,4/2,6	30	2 11 63	108
LCAP35034/2632.108	350	3,4/2,6	32	2 11 63	108
LCAP37038/3030.96	370	3,8/3,0	30	2 11 63	96
LCAP38038/3030.96	380	3,8/3,0	30	2 11 63	96
LCAP40040/3230.96	400	4,0/3,2	30	2 11 63	96



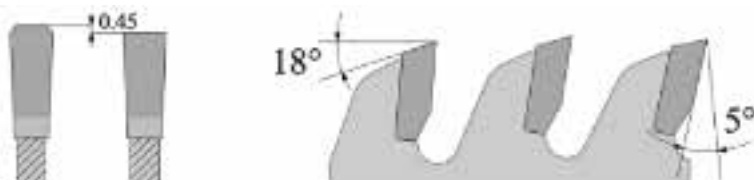
## LAMA CIRCOLARE PER ALLUMINIO TAGLIENTI POSITIVI

Circular saw blades for aluminium positive cut

Kreissägeblatt für ne-metalle - positive zahn

Hoja de sierra para el corte de metals ligeros con corte positivo

Дисковая пила для обработки алюминия с положительным углом



Codice	D	B/b	d	FT	Z
LCAP40040/3232.96	400	4,0/3,2	32	2 11 63	96
LCAP40040/3230.108	400	4,0/3,2	30	2 11 63	108
LCAP40040/3232.108	400	4,0/3,2	32	2 11 63	108
LCAP40040/3230.120	400	4,0/3,2	30	2 11 63	120
LCAP40040/3232.120	400	4,0/3,2	32	2 11 63	120
LCAP42040/3230.96	420	4,0/3,2	30	2 11 63	96
LCAP43040/3230.96	430	4,0/3,2	30	2 11 63	96
LCAP45040/3230.96	450	4,0/3,2	30	2 11 63	96
LCAP45040/3232.96	450	4,0/3,2	32	2 11 63	96
LCAP45040/3230.108	450	4,0/3,2	30	2 11 63	108
LCAP45040/3232.108	450	4,0/3,2	32	2 11 63	108
LCAP45040/3230.128	450	4,0/3,2	30	2 11 63	128
LCAP45040/3232.128	450	4,0/3,2	32	2 11 63	128
LCAP45040/3230.140	450	4,0/3,2	30	2 11 63	140
LCAP50046/3630.120	500	4,6/3,6	30	2 11 63	120
LCAP50046/3632.120	500	4,6/3,6	32	2 11 63	120
LCAP50046/3630.140	500	4,6/3,6	30	2 11 63	140
LCAP55046/3630.120	550	4,6/3,6	30	2 11 63	120
LCAP55046/3630.140	550	4,6/3,6	30	2 11 63	140
LCAP60046/3630.120	600	4,6/3,6	30	2 11 63	120
LCAP60046/3630.140	600	4,6/3,6	30	2 11 63	140
LCAP65050/4030.140	650	5,0/4,0	30	2 11 63	140
LCAP70050/4030.140	700	5,0/4,0	30	2 11 63	140







36030 S. Vito di Leguzzano (VI) - Italy - Via Leogra, 16 - Z.I.

Tel. +39.0445.510455 - Fax +39.0445.518553

E-mail: [ilma@ilmaitalia.com](mailto:ilma@ilmaitalia.com)

Web Site: [www.ilmaitalia.com](http://www.ilmaitalia.com)

CATALOGO 2014